



## Technical Data

### Submersible Motor - MSX201-125C

Revision no.

Page:

1

Receiver

From

 Company name  
 Respons. Department  
 Person in charge  
 Phone number  
 Fax no  
 E-mail address

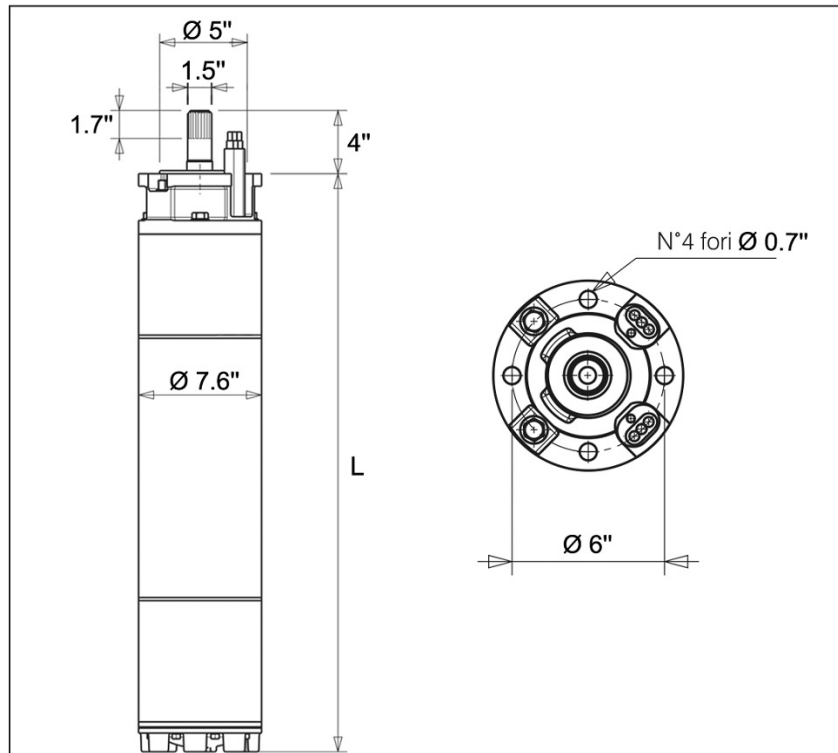




**Brand: Saer**  
**Model: MSX201-125C**  
**Made in Italy**

**Include PT100**

### Dimensions:



Flange Conection	Diameter	L	Net Weight
	in	in	lb
Nema	8	58.9	561

Project

Project ID

Created by

Created on

Last update



## Technical Data

### Submersible Motor - MSX201-125C

Revision no.

Page:  
2

Receiver	From

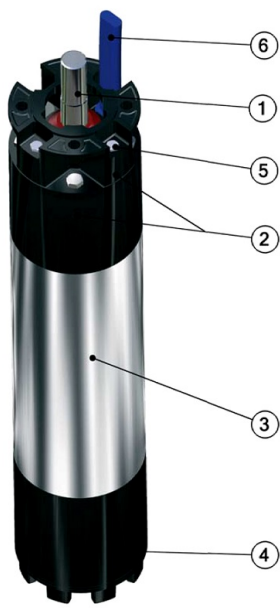
Company name  
 Respons. Department  
 Person in charge  
 Phone number  
 Fax no  
 E-mail address

### Datasheet:

Motor		MSX201-125C
Rated Output	HP	125
	kW	92
Rated Voltage	V	460
Rated Current	A	154
RPM	min <sup>-1</sup>	3510
η (Eff.) %	50%	85
	75%	87
	100%	88
COSφ (PF)	50%	0.68
	75%	0.79
	100%	0.86
I <sub>a</sub> / I <sub>n</sub>		6.10
C <sub>a</sub> / C <sub>n</sub>		1.90
Axial Thrust	lb	10000

- I<sub>a</sub> / I<sub>n</sub>: Locked rotor current/Rated amperage
- C<sub>a</sub> / C<sub>n</sub>: Locked rotor Torque/Rated Torque

### Materials:



N°	Component	Standard
1	Shaft-end	Stainless steel Duplex (1.4362)
2	Upper support and cover	Precision casting stainless steel AISI 316 (1.4408)
3	Stator tube	Stainless steel AISI 316 (1.4401)
4	Lower support and base	Precision casting stainless steel AISI 316 (1.4408)
/	Rubber parts	VITON®
5	Screws	Stainless steel AISI 316 (1.4401)
/	Mechanical seal	Q1Q1VGG
6	Cable	Approved for drinking water

Project	Project ID	Created by	Created on	Last update
---------	------------	------------	------------	-------------



# Parts List

## Submersible Motor - MSX201-125C

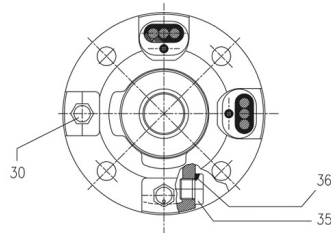
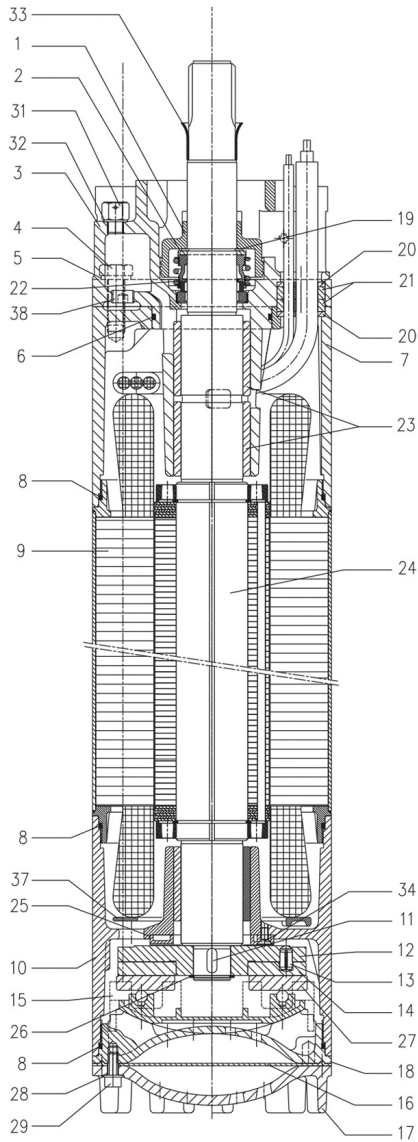
Revision no. \_\_\_\_\_  
Page: 1

Receiver

From

Company name  
Respons. Department  
Person in charge  
Phone number  
Fax no  
E-mail address





REF.	COMPONENT
01	Sand guard
02	Seal spacer
03	Upper support
04	Screw
05	Grower washer
06	O-ring
07	Upper cover
08	O-ring
09	Wound stator
10	Lower support
11	Key
12	Thrust bearing disc
13	Flexible pin
14	Thrust bearing ring
15	Sliding blocks holder
16	Compensation membrane
17	Membrane cover
18	Thrust bearing base
19	Seeger ring
20	Cable clamp ring
21	Cable clamp gasket
22	Complete mechanical seal
23	Bushing
24	Rotor
25	Counter-thrust sliding block
26	Seeger ring
27	Thrust bearing sliding blocks
28	Grower washer
29	Screw
30	Filling cap
31	Exhaust valve
32	Gasket washer
33	Shaft protection ring
34	Screw
35	Closing cap
36	Or-ring
37	Winding protection disc
38	Conic cap

Project	Project ID	Created by	Created on	Last update
---------	------------	------------	------------	-------------