



# Technical Data

## Horizontal Centrifugal Slurry Pump - GAZ50-1-A46

Revision no.

Page:  
 1

Receiver

From

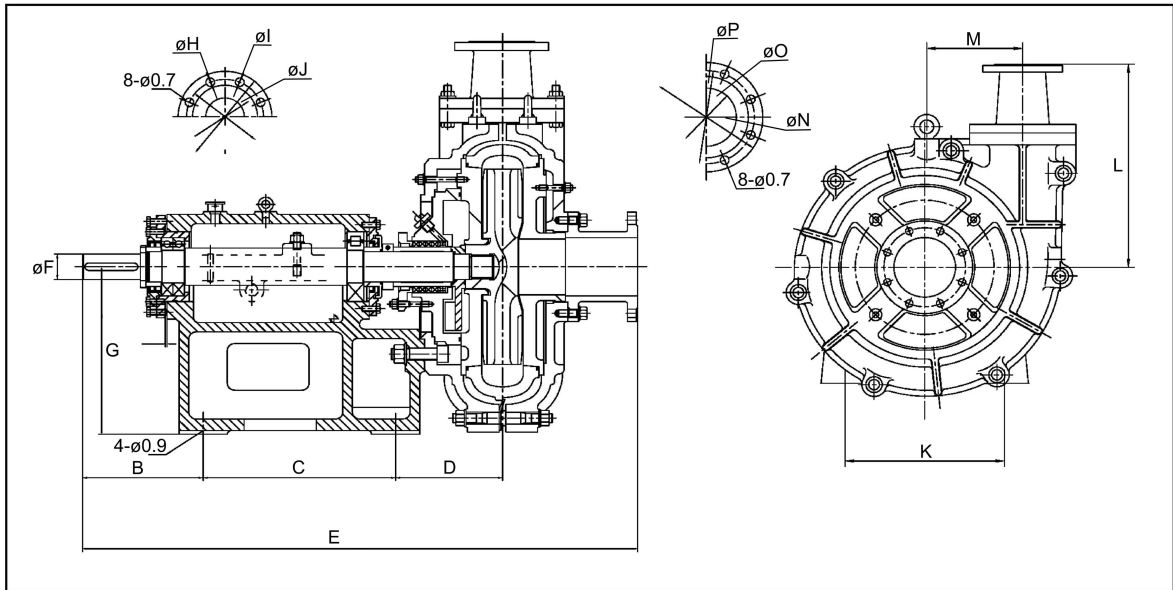
Company name  
 Respons. Department  
 Person in charge  
 Phone number  
 Fax no  
 E-mail address





**Brand: Gol Pumps**  
**Model: GAZ50-1-A46**

**Dimensions:**



Flange (inch)	
Inlet	Outlet
3	2

Pump Installation Size (inch)															
B	C	D	E	F	G	H	I	J	K	L	M	N	O	P	
9.9	15.7	8.9	46.1	2.2	14.2	5.7	7.1	2.4	17.7	19.8	10.2	7.9	3.1	6.1	

Project	Project ID	Created by	Created on	Last update
---------	------------	------------	------------	-------------



# Performance Curve

## Horizontal Centrifugal Slurry Pump - GAZ50-1-A46

Revision no. \_\_\_\_\_

Page: 2

Receiver \_\_\_\_\_

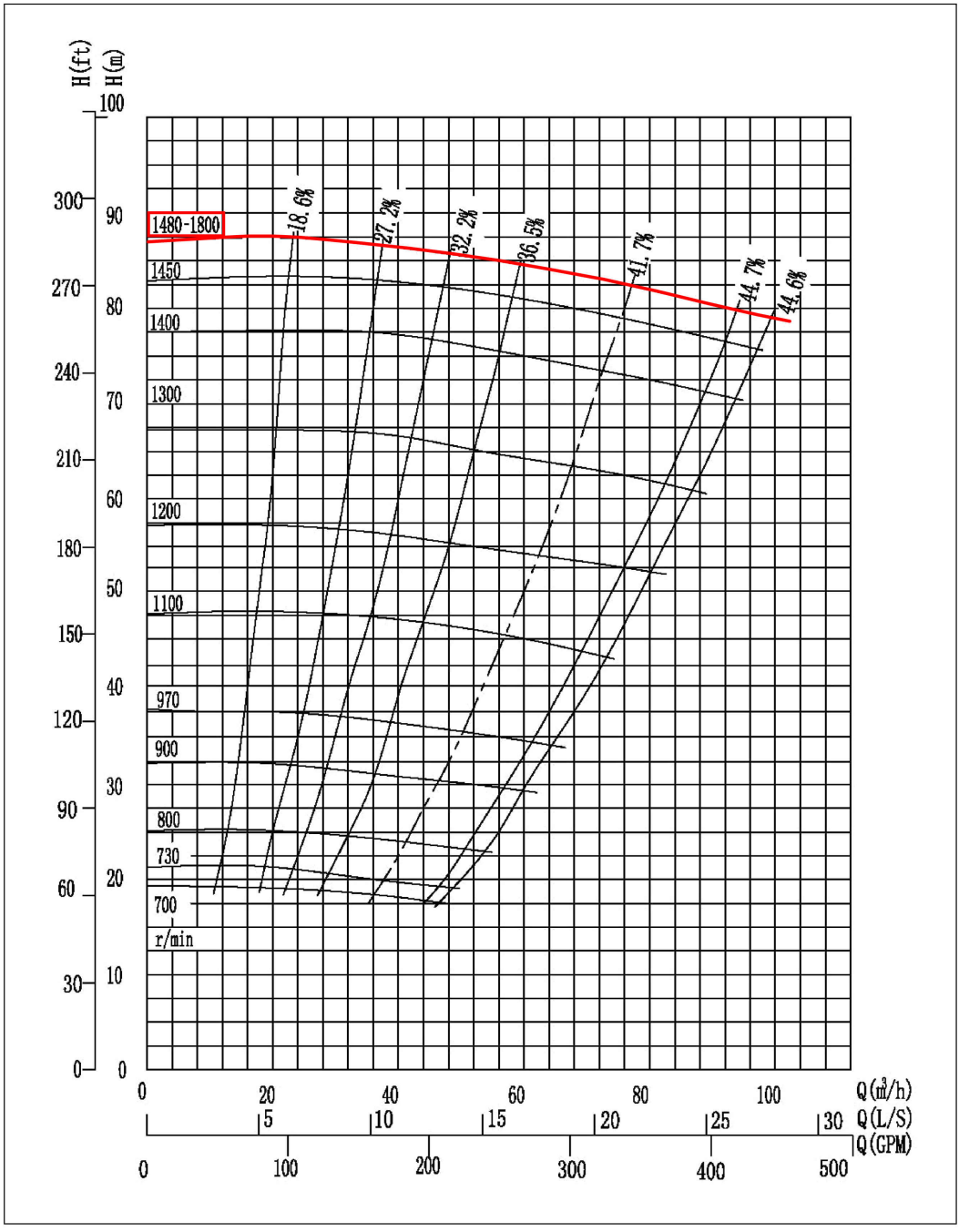
From \_\_\_\_\_

Company name \_\_\_\_\_  
 Respons. Department \_\_\_\_\_  
 Person in charge \_\_\_\_\_  
 Phone number \_\_\_\_\_  
 Fax no \_\_\_\_\_  
 E-mail address \_\_\_\_\_

\_\_\_\_\_

\_\_\_\_\_

Model	Inlet	Outlet	Power		Max. Solid Passing	Revolutions
	in	in	hp	kw	in	rpm
<b>GAZ50-1-A46</b>	3	2	75	55	0.6	1750



Project _____	Project ID _____	Created by _____	Created on _____	Last update _____
---------------	------------------	------------------	------------------	-------------------



# Pump and Motor

## Horizontal Centrifugal Slurry Pump - GAZ50-1-A46

Revision no.

Page:  
 3

Receiver

From

Company name  
 Respons. Department  
 Person in charge  
 Phone number  
 Fax no  
 E-mail address





Motor Type		TEFC
Nominal Voltage	V	460 - 3ph
Power Factor		0.85
Stator Current	A	85.1
Motor Power	HP	75
Frequency	HZ	60
Efficiency	%	95.4
Speed	RPM	1785
Protection Class	IP	55
Approx. Weight	LB	1108.8
Manufacturer		WEG

Project	Project ID	Created by	Created on	Last update
---------	------------	------------	------------	-------------



## Parts and Materials

### Horizontal Centrifugal Slurry Pump - GAZ50-1-A46

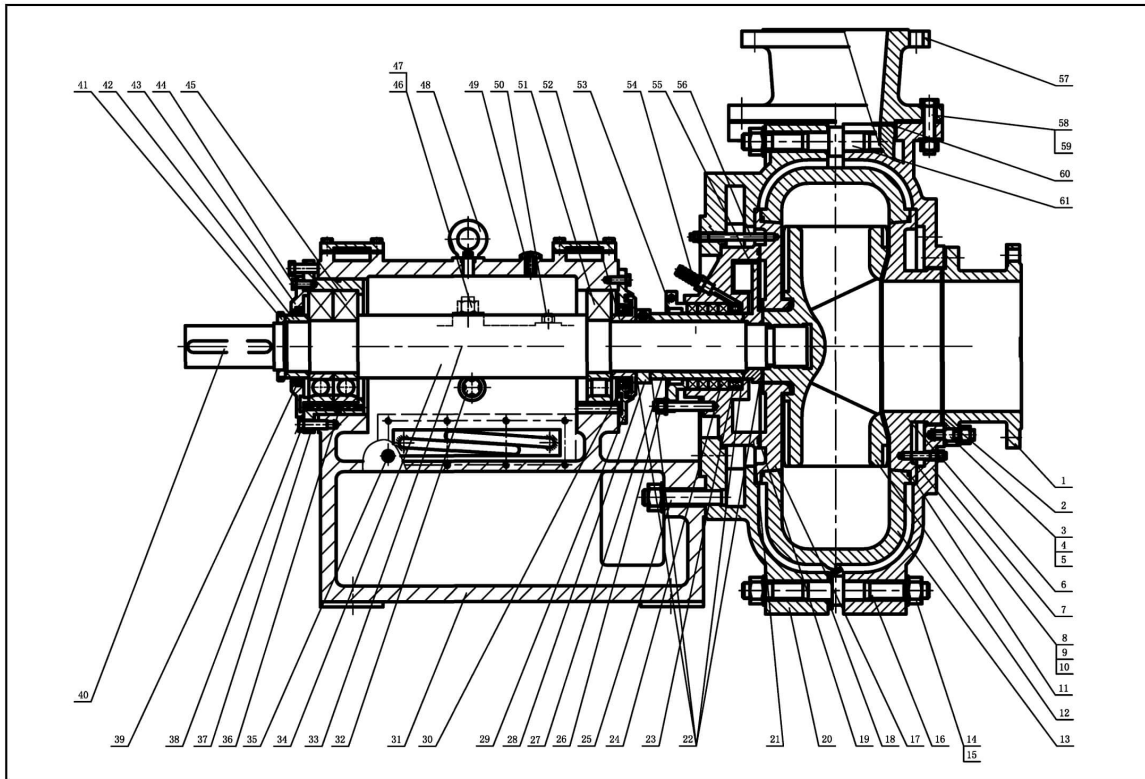
Revision no.

Page:

4

Receiver

From

 Company name  
 Respons. Department  
 Person in charge  
 Phone number  
 Fax no  
 E-mail address


Item	Parts Name	Qty	Material
1	Intake Coupling	1	HT200
2	Intake Joint Ring	1	Rubber
3	Intake Studs	8	
4	Nuts	8	
5	Washer	8	
6	Throat Bush	1	Cr27MoNi
7	Cover Plate	1	HT200
8	Cover Plate Studs	4	
9	Nuts	8	
10	Washer	8	
11	Seal Ring	2	Rubber
12	Impeller	1	Cr27MoNi
13	Volute Liner	1	Cr27MoNi
14	Frame Plate Bolts	2	
15	Nuts	14	

16	Washer	14	
17	FPL Insert	1	Cr27MoNi
18	Cotter	2	
19	Seal Ring	1	Rubber
20	Frame Plate	1	HT200
21	Stuffing Box	1	
22	O Ring	4	Rubber
23	Lantern Ring	1	
24	Packing	4	
25	Adjust Studs	3	
26	Studs	2	
27	Shaft Sleeve	1	
28	Release Collar	1 set	
29	End Cover	1	HT200
30	Oil Seal	1	
31	Frame	1	HT200

Project

Project ID

Created by

Created on

Last update



## Parts and Materials

### Horizontal Centrifugal Slurry Pump - GAZ50-1-A46

Revision no.

Page:

5

Receiver

From

 Company name  
 Respons. Department  
 Person in charge  
 Phone number  
 Fax no  
 E-mail address

Item	Parts Name	Qty	Material
32	Oil Pointer	1	
33	Paper Doily	1 set	0. 2 Fishpaper
34	Shaft	1	
35	Plug R 1/2	1	
36	End Cover Seal Ring	1	Rubber
37	Bearing Box	1	
38	Bearing Box Bolts	12	
39	Oil Seal Driven End	1	
40	Key	1	
41	Lock Nut	1	
42	Retainer	1	
43	End Cover Driven	1	
44	End Cover Bolts	6	
45	Bearing	2	
46	Frame Studs	8	

47	Nuts	12	
48	Eyebolts	3	
49	Oil Hole Cover	1	
50	Location Pin	3	
51	Bearing	1	
52	Retainer	1	
53	Stuffing Gland	1 set	HT200
54	Nipple	1	
55	Expeller	1	
56	FPL Insert Studs	3	
57	Discharge Coupling	1	HT200
58	Discharge Bolts	4	
59	Washer	10	
60	Discharge Join Ring	1	
61	Frame Plate Bolts	5	

Project

Project ID

Created by

Created on

Last update