



Technical Data

Vertical In-line Pump - EGM40-3213-00554

Revision no.

 Page:
1

Receiver

From

 Company name
 Respons. Department
 Person in charge
 Phone number
 Fax no
 E-mail address


Brand: Gol Pumps
Model: EGM40-3213-00554
Flange: ANSI Class 125

Motor (V1)

Model	HP
Y2-801-4	0.75

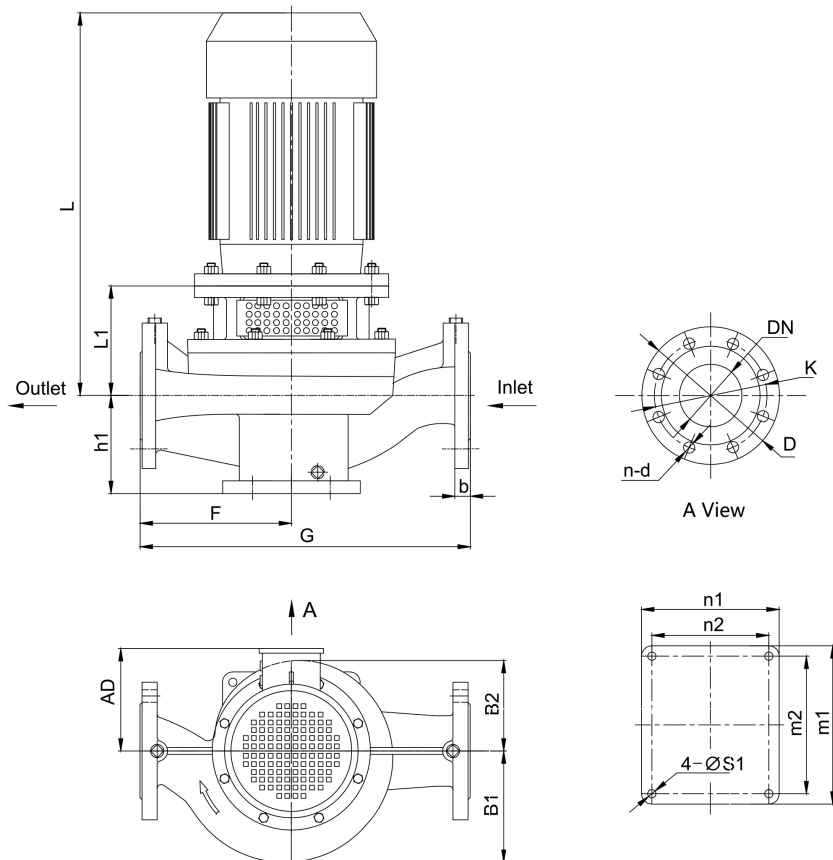
Weight (lb)

Pump	Motor	Pump & Motor
70.4	35.2	105.6

Inlet Outlet

1 1/4"	1 1/4"
--------	--------

Dimensions:



Pump Installation Size (inch)

h1	L1	F	G	L	AD	B1	B2	n2 x m2	n1 x m1	S1	DN	D	K	n - Ød	b
4.4	6	5.9	12.2	16	5.7	4.1	3.7	6.7x7.9	7.9x9.1	0.5	1 1/2	5	3.9	4 - 0.6	1

Project

Project ID

Created by

Created on

Last update



Performance Curves

Vertical In-line Pump - EGM40-3213-00554

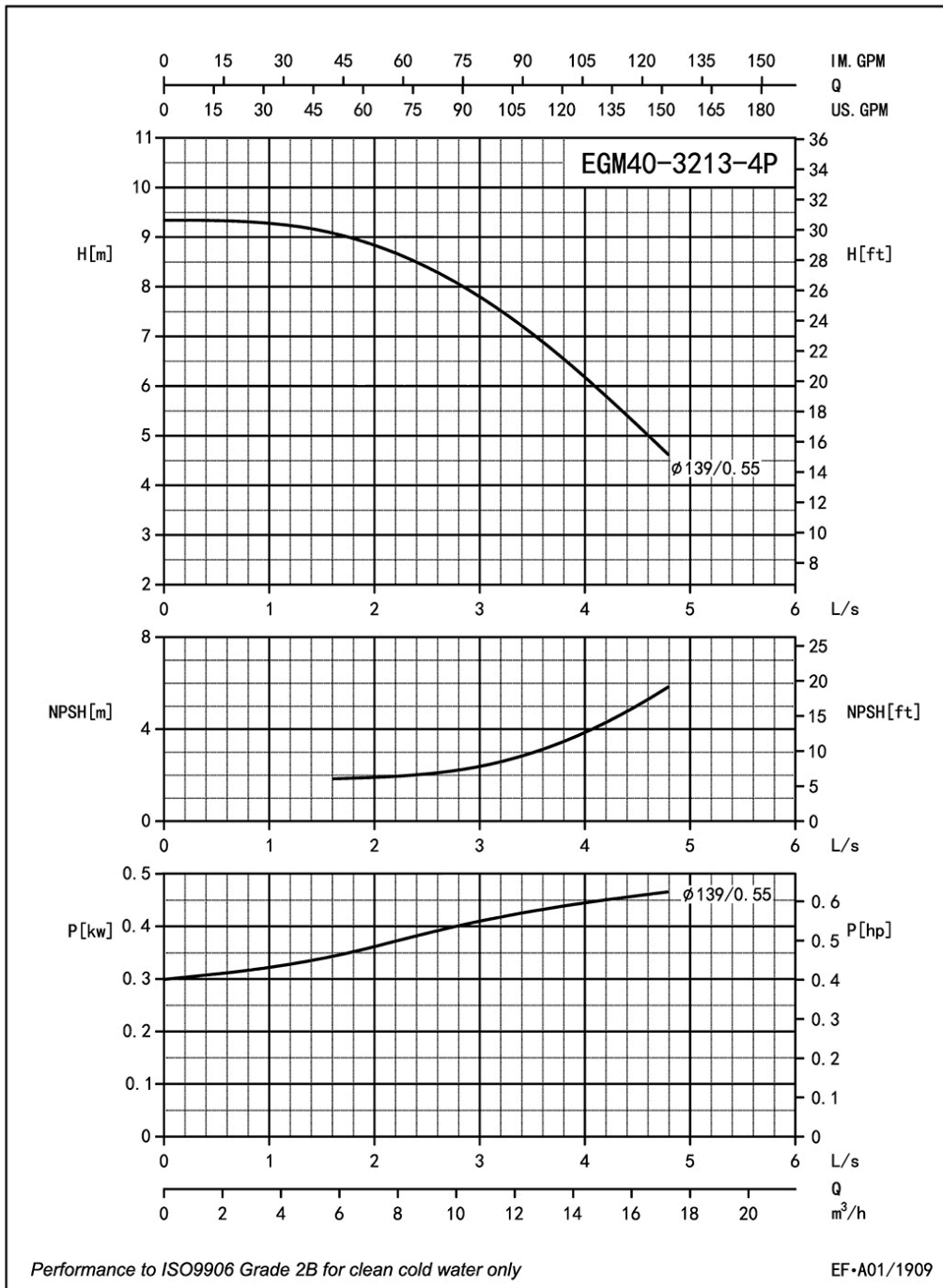
Revision no.

Page:
 2

Receiver	From

Company name
 Respons. Department
 Person in charge
 Phone number
 Fax no
 E-mail address

Model	Capacity			Head		Speed r/min	Motor hp	Voltage v	Phase	Impeller Diam.		Eff. %	(NPSH)r ft
	m ³ /h	l/s	gpm	m	ft					mm	inch		
EGM40-3213-00554	7.6	2.1	33.8	8.7	29	1710	0.75	230/460	3	139	5.5	50	6.6
	13	3.6	56.3	7	23		0.75					56	9.8
	15.5	4.3	67.5	5.5	18		0.75					51.5	14.8



Project	Project ID	Created by	Created on	Last update
---------	------------	------------	------------	-------------



Parts List

Vertical In-line Pump - EGM40-3213-00554

Revision no.

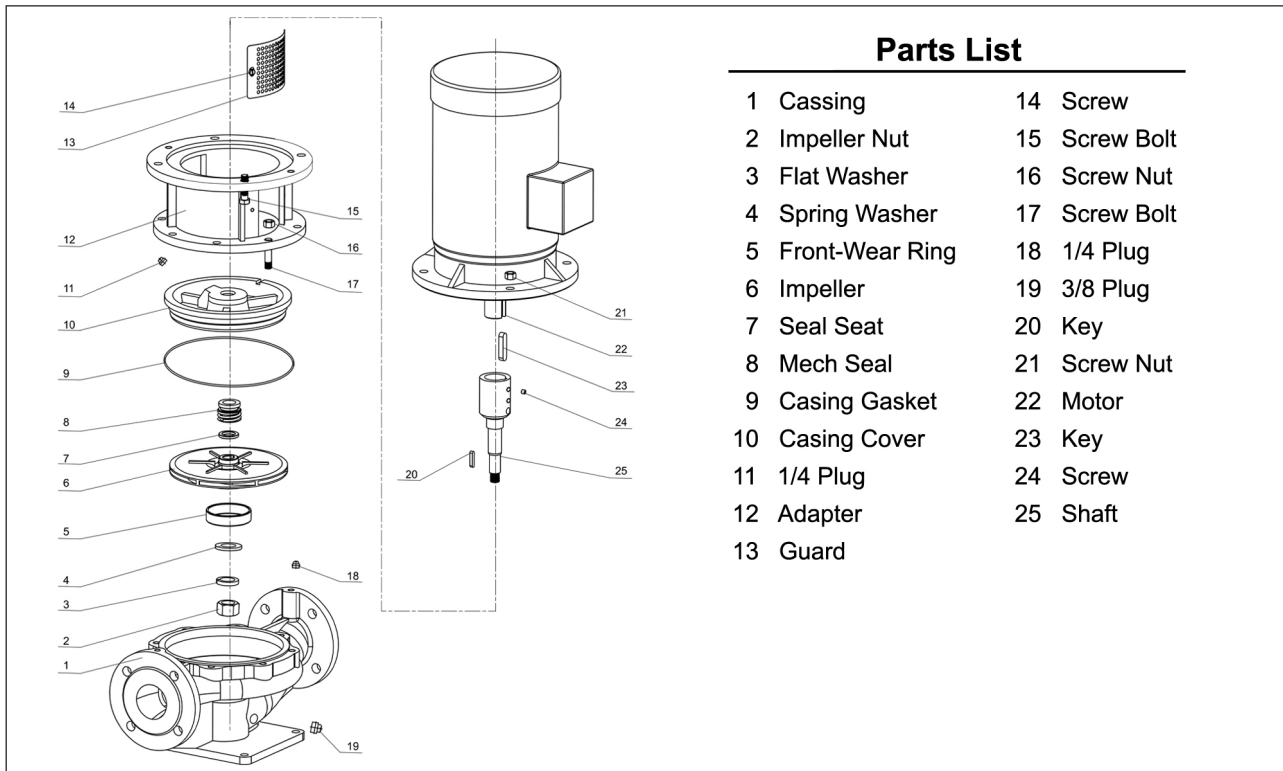
Page:

3

Receiver

From

 Company name
 Respons. Department
 Person in charge
 Phone number
 Fax no
 E-mail address



Project

Project ID

Created by

Created on

Last update