



Technical Data

Vertical In-line Pump - EGM50-3216-00554

Revision no.

Page:

1

Receiver

From

 Company name
 Respons. Department
 Person in charge
 Phone number
 Fax no
 E-mail address


Brand: Gol Pumps
Model: EGM50-3216-00554
Flange: ANSI Class 125

Motor (V1)

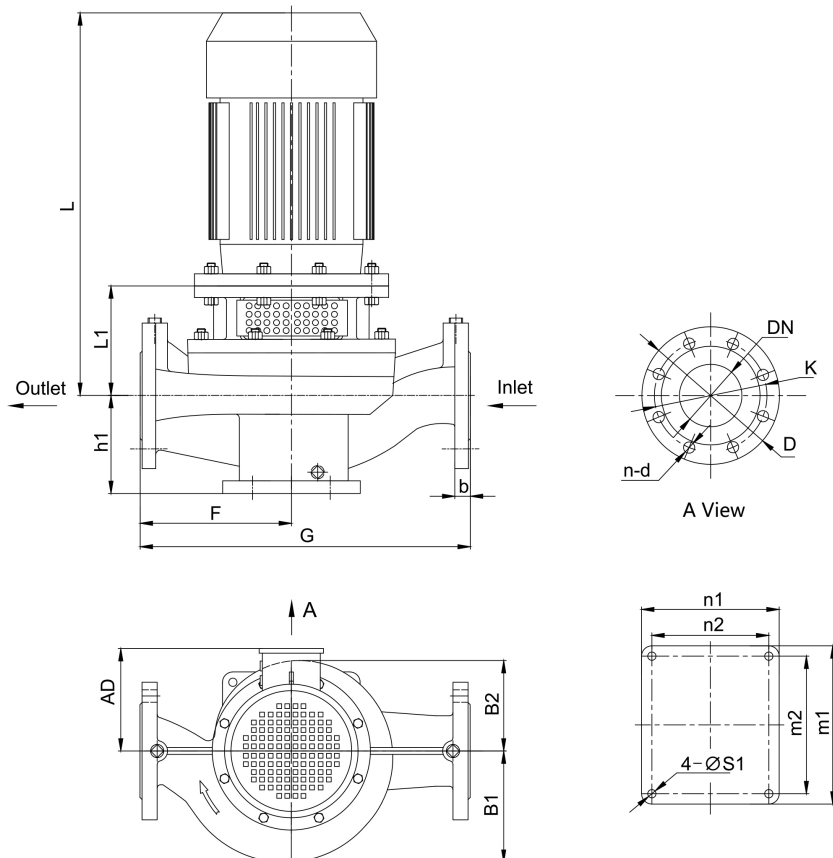
Model	HP
Y2-801-4	0.75

Weight (lb)

Pump	Motor	Pump & Motor
79.2	35.2	114.4

Inlet	Outlet
2"	2"

Dimensions:



Pump Installation Size (inch)

h1	L1	F	G	L	AD	B1	B2	n2 x m2	n1 x m1	S1	DN	D	K	n - d	b
4.6	6	6.3	12.6	16	5.7	4.5	4.5	6.7x7.9	7.9x9.1	0.5	2	5.9	4.8	4 - ϕ 0.8	-

Project

Project ID

Created by

Created on

Last update



Performance Curves

Vertical In-line Pump - EGM50-3216-00554

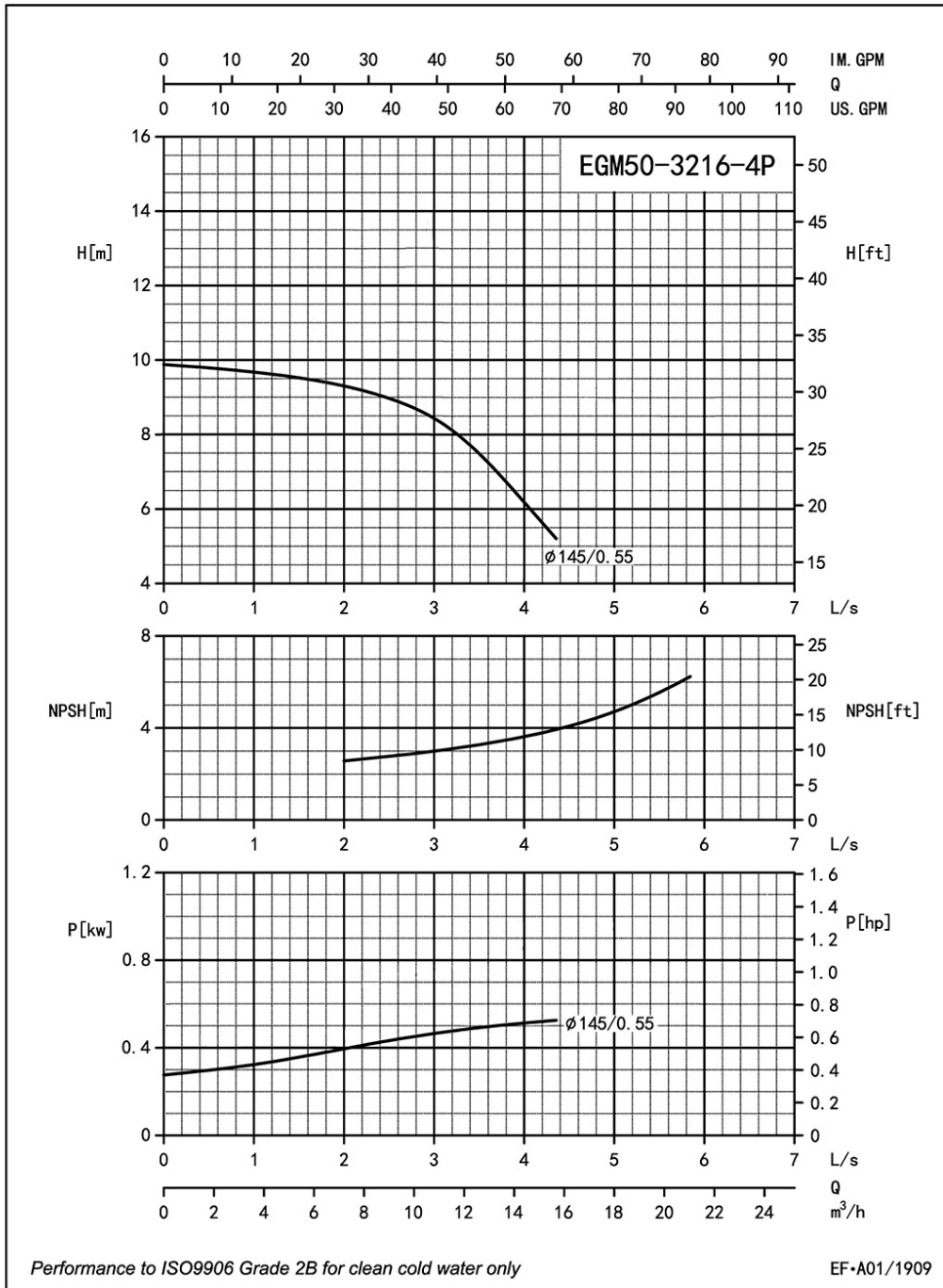
Revision no.

Page:
 2

Receiver _____ From _____

Company name _____
 Respons. Department _____
 Person in charge _____
 Phone number _____
 Fax no _____
 E-mail address _____

Model	Capacity			Head		Speed r/min	Motor hp	Voltage v	Phase	Impeller Diam.		Eff. %	(NPSH)r ft
	m ³ /h	l/s	gpm	m	ft					mm	inch		
EGM50-3216-00554	6.8	1.9	30.4	9.4	31	1710	0.75	230/460	3	145	5.7	44	9.5
	11.5	3.2	50.7	8	26		0.75					53	12.5
	13.7	3.8	60.9	6.5	21		0.75					46	16.1



Project	Project ID	Created by	Created on	Last update
---------	------------	------------	------------	-------------



Parts List

Vertical In-line Pump - EGM50-3216-00554

Revision no.

Page:
3

Receiver

From

Company name
Respons. Department
Person in charge
Phone number
Fax no
E-mail address

Parts List

1	Cassing	14	Screw
2	Impeller Nut	15	Screw Bolt
3	Flat Washer	16	Screw Nut
4	Spring Washer	17	Screw Bolt
5	Front-Wear Ring	18	1/4 Plug
6	Impeller	19	3/8 Plug
7	Seal Seat	20	Key
8	Mech Seal	21	Screw Nut
9	Casing Gasket	22	Motor
10	Casing Cover	23	Key
11	1/4 Plug	24	Screw
12	Adapter	25	Shaft
13	Guard		

Project	Project ID	Created by	Created on	Last update
---------	------------	------------	------------	-------------