



# Technical Data

## Vertical In-line Pump - EGM50-3220-01504

Revision no.

 Page:  
1

Receiver

From

 Company name  
 Respons. Department  
 Person in charge  
 Phone number  
 Fax no  
 E-mail address


**Brand: Gol Pumps**  
**Model: EGM50-3220-01504**  
**Flange: ANSI Class 125**

### Motor (V1)

Model	HP
Y2-90L-4	2

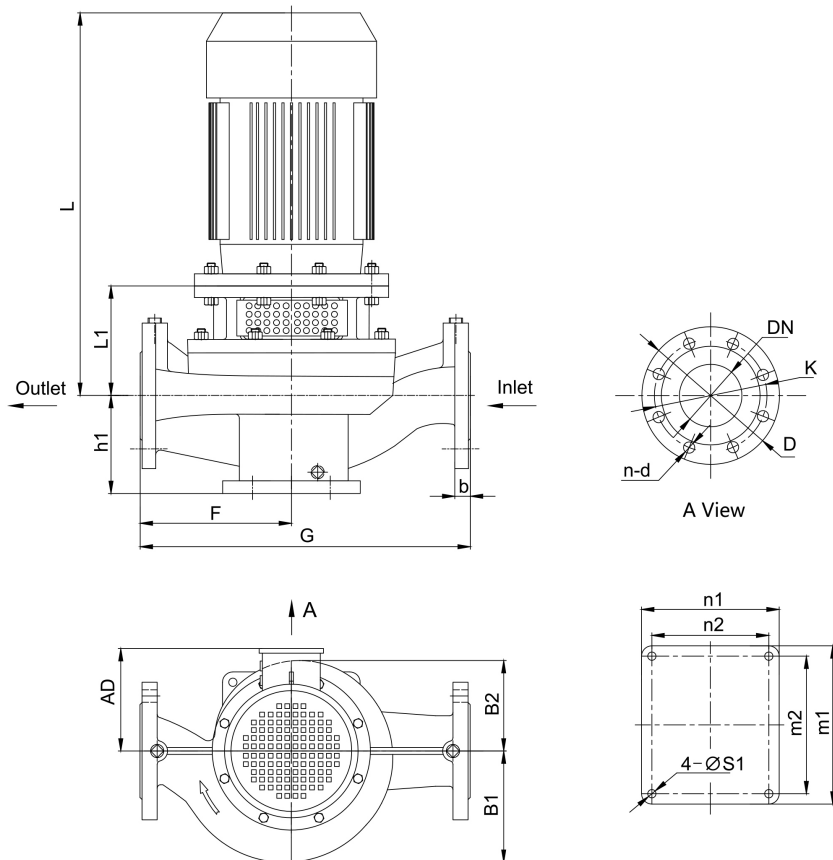
### Weight (lb)

Pump	Motor	Pump & Motor
101.2	59.4	158.4

### Inlet      Outlet

2"	2"
----	----

### Dimensions:



### Pump Installation Size (inch)

h1	L1	F	G	L	AD	B1	B2	n2 x m2	n1 x m1	S1	DN	D	K	n - d	b
4.6	5.9	8.3	16.5	16.6	6.1	5.4	5.3	6.7x7.9	7.9x9.1	0.6	2	5.9	4.8	4 - $\phi$ 0.8	-

Project

Project ID

Created by

Created on

Last update



# Performance Curves

## Vertical In-line Pump - EGM50-3220-01504

Revision no.

Page:

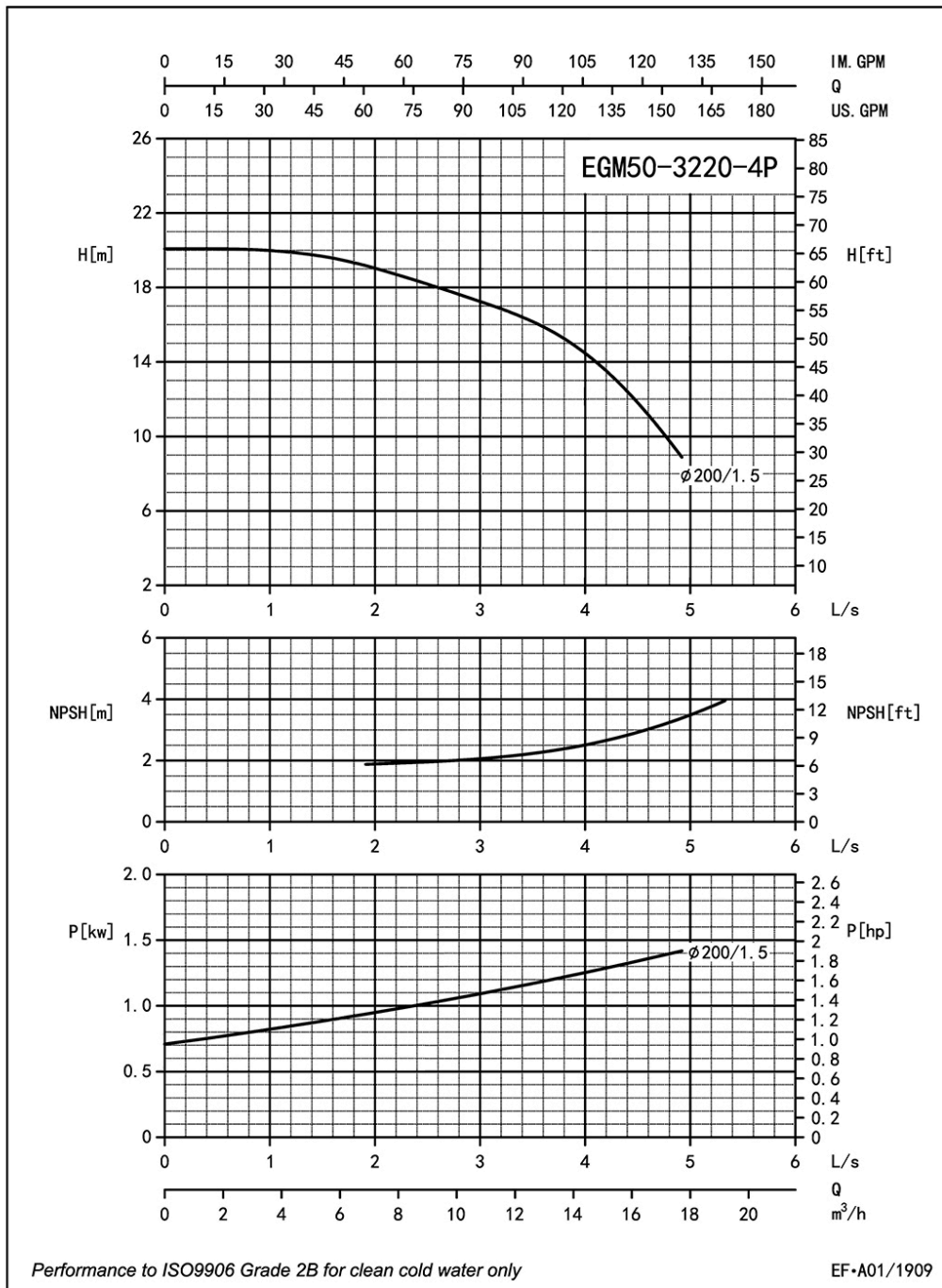
2

Receiver

From

 Company name  
 Respons. Department  
 Person in charge  
 Phone number  
 Fax no  
 E-mail address

Model	Capacity			Head		Speed	Motor	Voltage	Phase	Impeller Diam.		Eff.	(NPSH)r
	m <sup>3</sup> /h	l/s	gpm	m	ft	r/min	hp	v		mm	inch	%	ft
EGM50-3220-01504	7.9	2.2	34.2	18.8	62	1710	2	230/460	3	200	7.9	42	6.6
	13	3.6	57.1	16	52		2					48	7.9
	15.5	4.3	68.5	13	43		2					45	9.8



Project

Project ID

Created by

Created on

Last update



# Parts List

## Vertical In-line Pump - EGM50-3220-01504

Revision no.

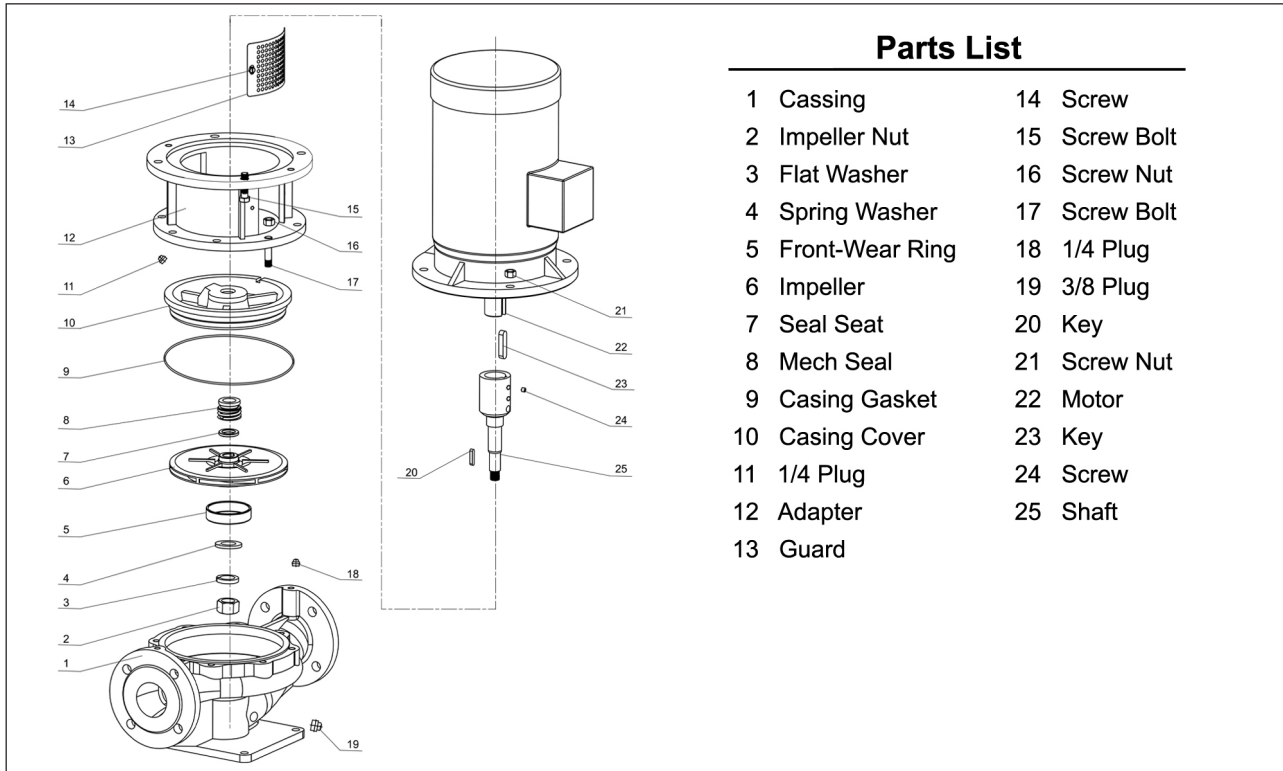
Page:

3

Receiver

From

 Company name  
 Respons. Department  
 Person in charge  
 Phone number  
 Fax no  
 E-mail address

Project

Project ID

Created by

Created on

Last update