



Technical Data

Vertical In-line Pump - EGM50-3226-02204

Revision no.

Page:
 1

	Receiver	From
Company name		
Respons. Department		
Person in charge		
Phone number		
Fax no		
E-mail address		



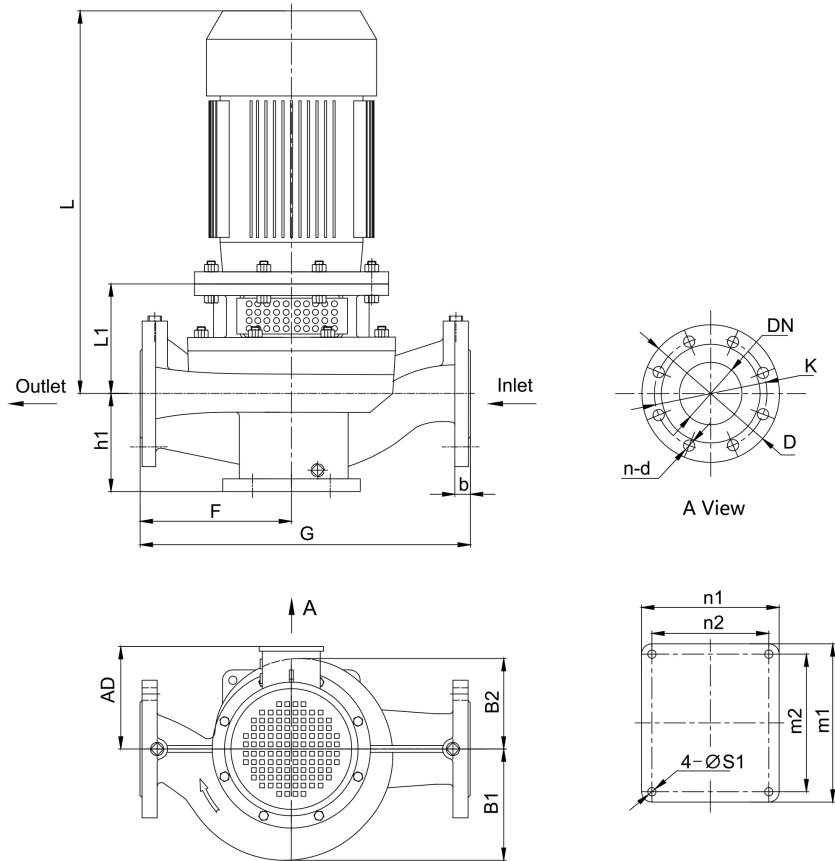
Brand: Gol Pumps
Model: EGM50-3226-02204
Flange: ANSI Class 125

Motor (V1)	
Model	HP
Y2-100L1-4	3

Weight (lb)		
Pump	Motor	Pump & Motor
136.4	74.8	211.2

Inlet	Outlet
2"	2"

Dimensions:



Pump Installation Size (inch)															
h1	L1	F	G	L	AD	B1	B2	n2 x m2	n1 x m1	S1	DN	D	K	n - d	b
4.6	6.8	9.1	18.5	19.6	7.1	6.6	6.6	6.7x7.9	7.9x9.1	0.6	2	5.9	4.8	4 - ϕ 0.8	-

Project	Project ID	Created by	Created on	Last update
---------	------------	------------	------------	-------------



Performance Curves

Vertical In-line Pump - EGM50-3226-02204

Revision no.

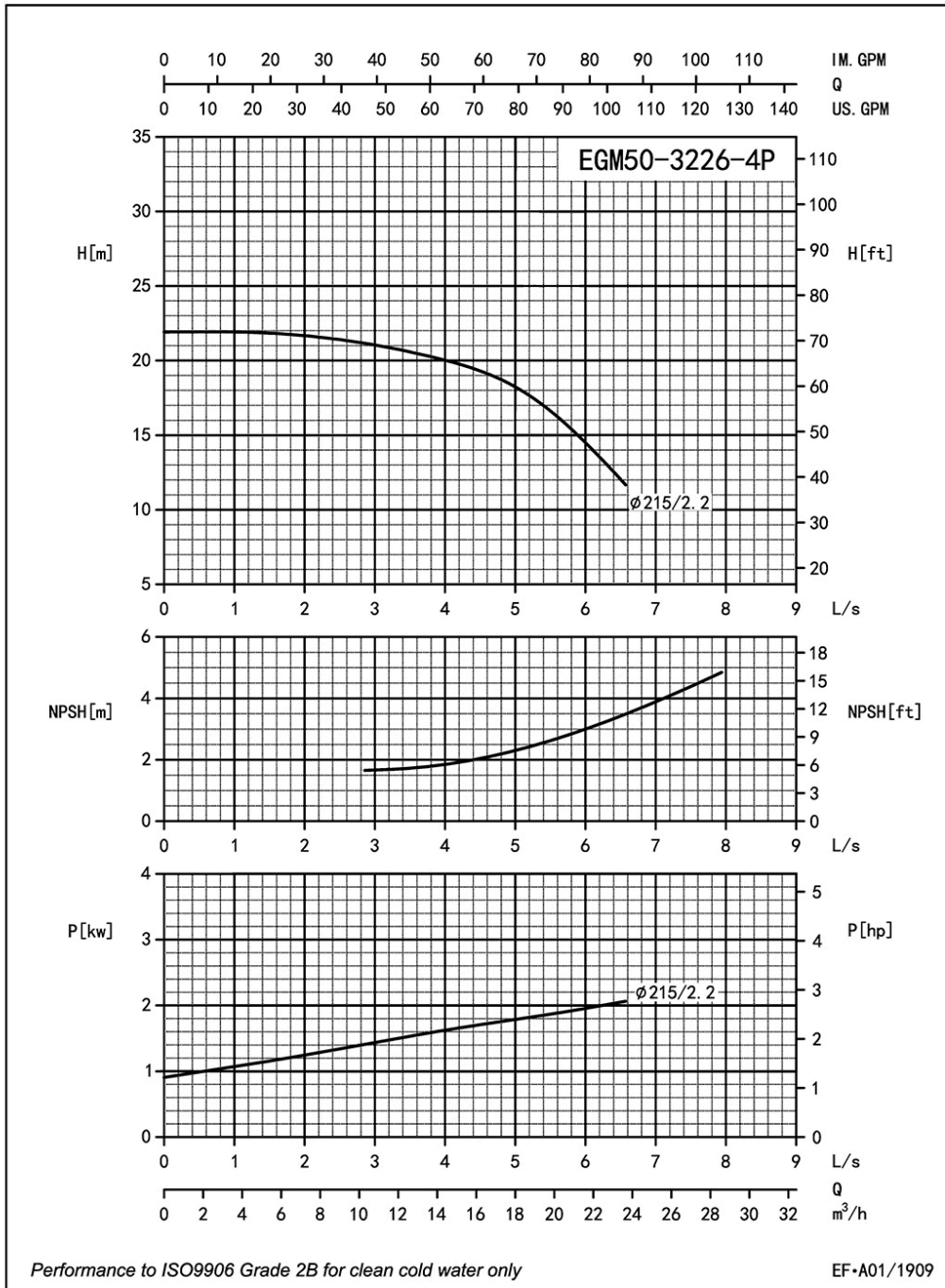
Page:
 2

Receiver

From

Company name
 Respons. Department
 Person in charge
 Phone number
 Fax no
 E-mail address

Model	Capacity			Head		Speed	Motor	Voltage	Phase	Impeller Diam.		Eff.	(NPSH)r
	m ³ /h	l/s	gpm	m	ft	r/min	hp	v		mm	inch	%	ft
EGM50-3226-02204	10.1	2.8	43.7	21	69	1710	3	230/460	3	215	8.5	41	5.6
	16.6	4.6	72.9	19	62		3					50.5	10.5
	19.8	5.5	87.5	16.5	54		3					45	14.1



Project	Project ID	Created by	Created on	Last update
---------	------------	------------	------------	-------------



Parts List

Vertical In-line Pump - EGM50-3226-02204

Revision no.

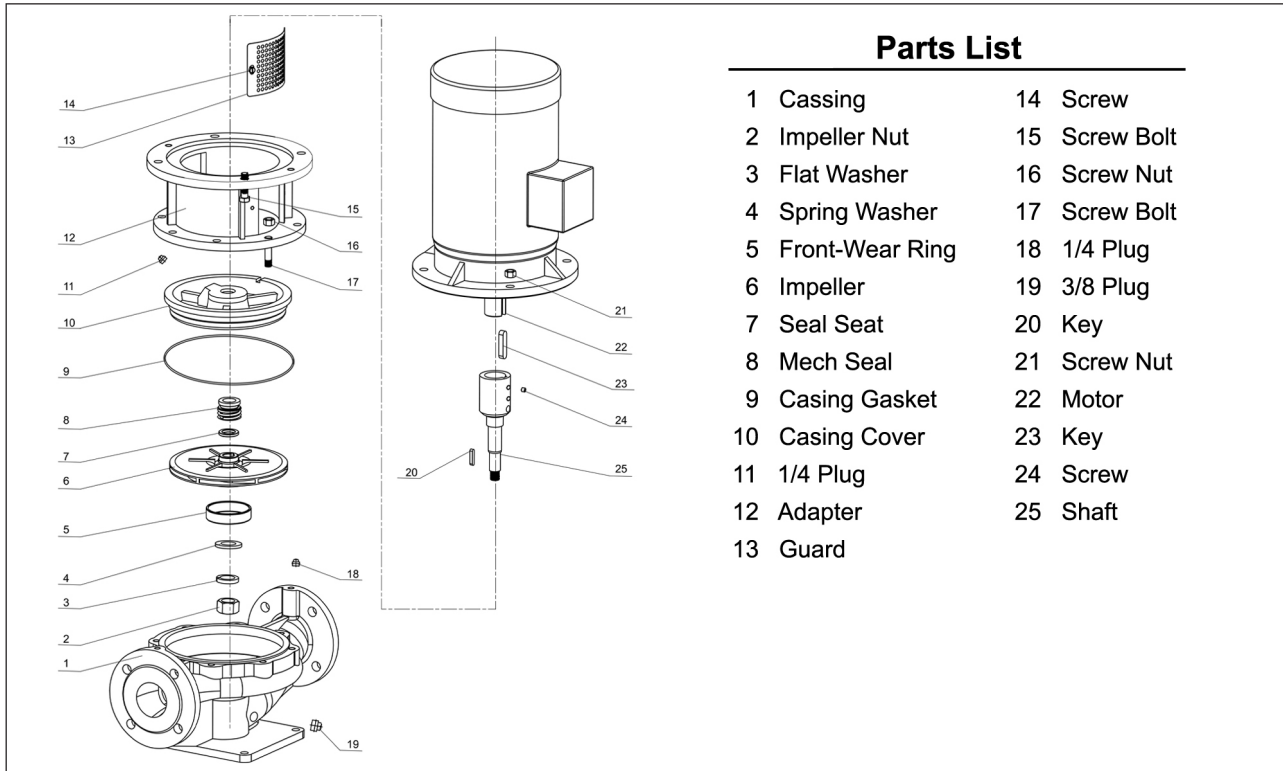
Page:

3

Receiver

From

 Company name
 Respons. Department
 Person in charge
 Phone number
 Fax no
 E-mail address



Project

Project ID

Created by

Created on

Last update