



Technical Data

Vertical In-line Pump - EGM50-3226-03004

Revision no.

Page:

1

Receiver

From

 Company name
 Respons. Department
 Person in charge
 Phone number
 Fax no
 E-mail address


Brand: Gol Pumps
Model: EGM50-3226-03004
Flange: ANSI Class 125

Motor (V1)

Model	HP
Y2-100L2-4	4

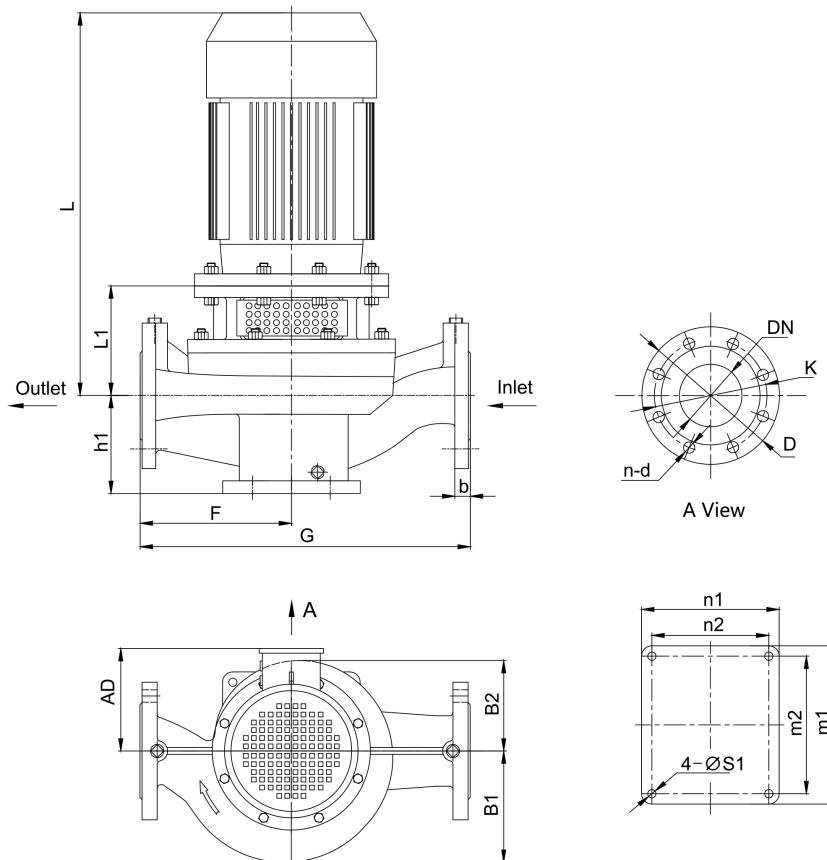
Weight (lb)

Pump	Motor	Pump & Motor
136.4	81.4	217.8

Inlet Outlet

2"	2"
----	----

Dimensions:



Pump Installation Size (inch)

h1	L1	F	G	L	AD	B1	B2	n2 x m2	n1 x m1	S1	DN	D	K	n - d	b
4.6	6.8	9.1	18.5	19.6	7.1	6.6	6.6	6.7x7.9	7.9x9.1	0.6	2	5.9	4.8	4 - ϕ 0.8	-

Project

Project ID

Created by

Created on

Last update



Performance Curves

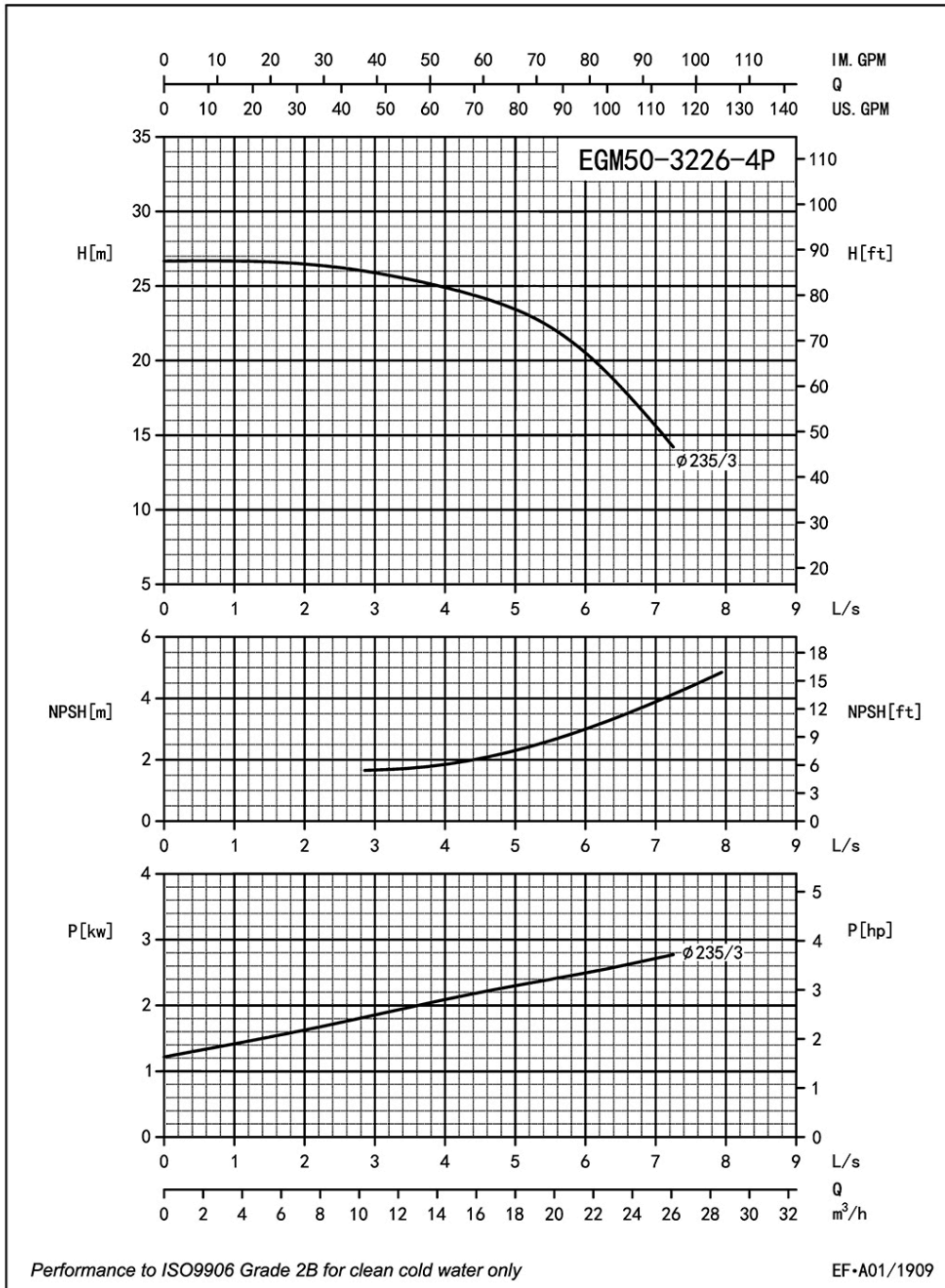
Vertical In-line Pump - EGM50-3226-03004

Revision no. _____
Page: 2

Receiver	From

Company name
Respons. Department
Person in charge
Phone number
Fax no
E-mail address

Model	Capacity			Head		Speed	Motor	Voltage	Phase	Impeller Diam.		Eff.	(NPSH)r
	m ³ /h	l/s	gpm	m	ft	r/min	hp	v		mm	inch	%	ft
EGM50-3226-03004	11.2	3.1	49.5	25.9	85	1710	4	230/460	3	235	9.3	44	5.6
	18.7	5.2	82.4	23	75		4					51	10.5
	22.3	6.2	98.9	19.4	64		4					48	14.1



Project	Project ID	Created by	Created on	Last update
---------	------------	------------	------------	-------------



Parts List

Vertical In-line Pump - EGM50-3226-03004

Revision no.

Page:
 3

Receiver

From

Company name
 Respons. Department
 Person in charge
 Phone number
 Fax no
 E-mail address

Parts List

1 Cassing	14 Screw
2 Impeller Nut	15 Screw Bolt
3 Flat Washer	16 Screw Nut
4 Spring Washer	17 Screw Bolt
5 Front-Wear Ring	18 1/4 Plug
6 Impeller	19 3/8 Plug
7 Seal Seat	20 Key
8 Mech Seal	21 Screw Nut
9 Casing Gasket	22 Motor
10 Casing Cover	23 Key
11 1/4 Plug	24 Screw
12 Adapter	25 Shaft
13 Guard	

Project	Project ID	Created by	Created on	Last update
---------	------------	------------	------------	-------------