



# Technical Data

## Vertical In-line Pump - EGM50-3226-04004

Revision no.

 Page:  
1

Receiver

From

 Company name  
 Respons. Department  
 Person in charge  
 Phone number  
 Fax no  
 E-mail address


**Brand: Gol Pumps**  
**Model: EGM50-3226-04004**  
**Flange: ANSI Class 125**

### Motor (V1)

Model	HP
Y2-112M-4	5.5

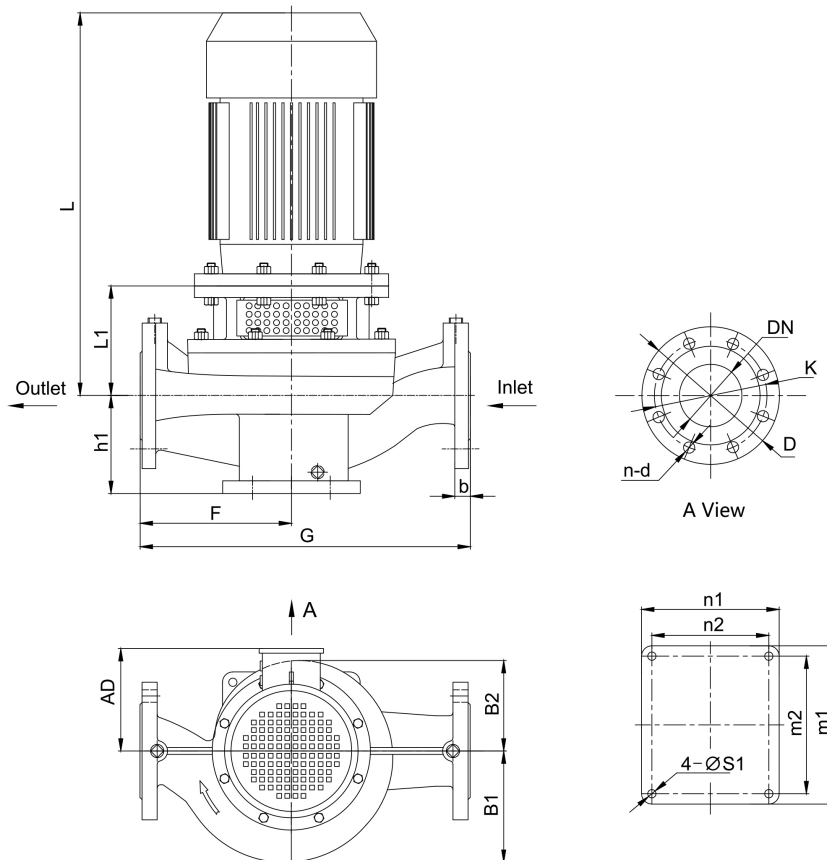
### Weight (lb)

Pump	Motor	Pump & Motor
136.4	103.4	239.8

### Inlet      Outlet

2"	2"
----	----

### Dimensions:



### Pump Installation Size (inch)

h1	L1	F	G	L	AD	B1	B2	n2 x m2	n1 x m1	S1	DN	D	K	n - d	b
4.6	6.8	9.1	18.5	20.2	7.5	6.6	6.6	6.7x7.9	7.9x9.1	0.6	2	5.9	4.8	4 - $\phi$ 0.8	-

Project

Project ID

Created by

Created on

Last update



# Performance Curves

## Vertical In-line Pump - EGM50-3226-04004

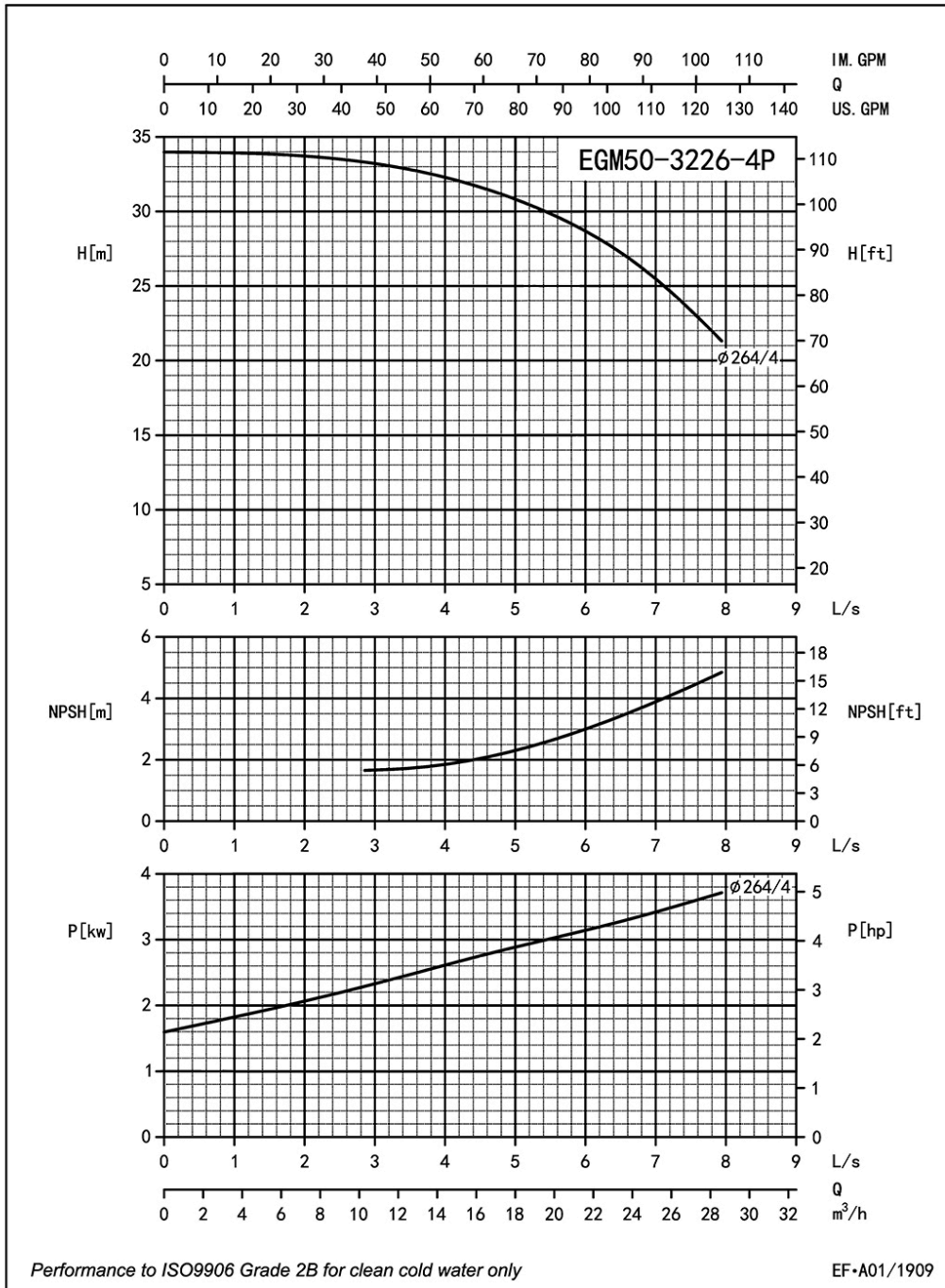
Revision no.

Page:  
 2

Receiver	From

Company name  
 Respons. Department  
 Person in charge  
 Phone number  
 Fax no  
 E-mail address

Model	Capacity			Head		Speed	Motor	Voltage	Phase	Impeller Diam.		Eff.	(NPSH)r
	m <sup>3</sup> /h	l/s	gpm	m	ft	r/min	hp	v		mm	inch	%	ft
EGM50-3226-04004	13.3	3.7	59	32.7	107	1710	5.5	230/460	3	264	10.4	47	5.6
	22.3	6.2	98.3	28	92		5.5					54	10.5
	26.6	7.4	117.9	23.5	77		5.5					49	14.1



Project	Project ID	Created by	Created on	Last update



# Parts List

## Vertical In-line Pump - EGM50-3226-04004

Revision no.

Page:

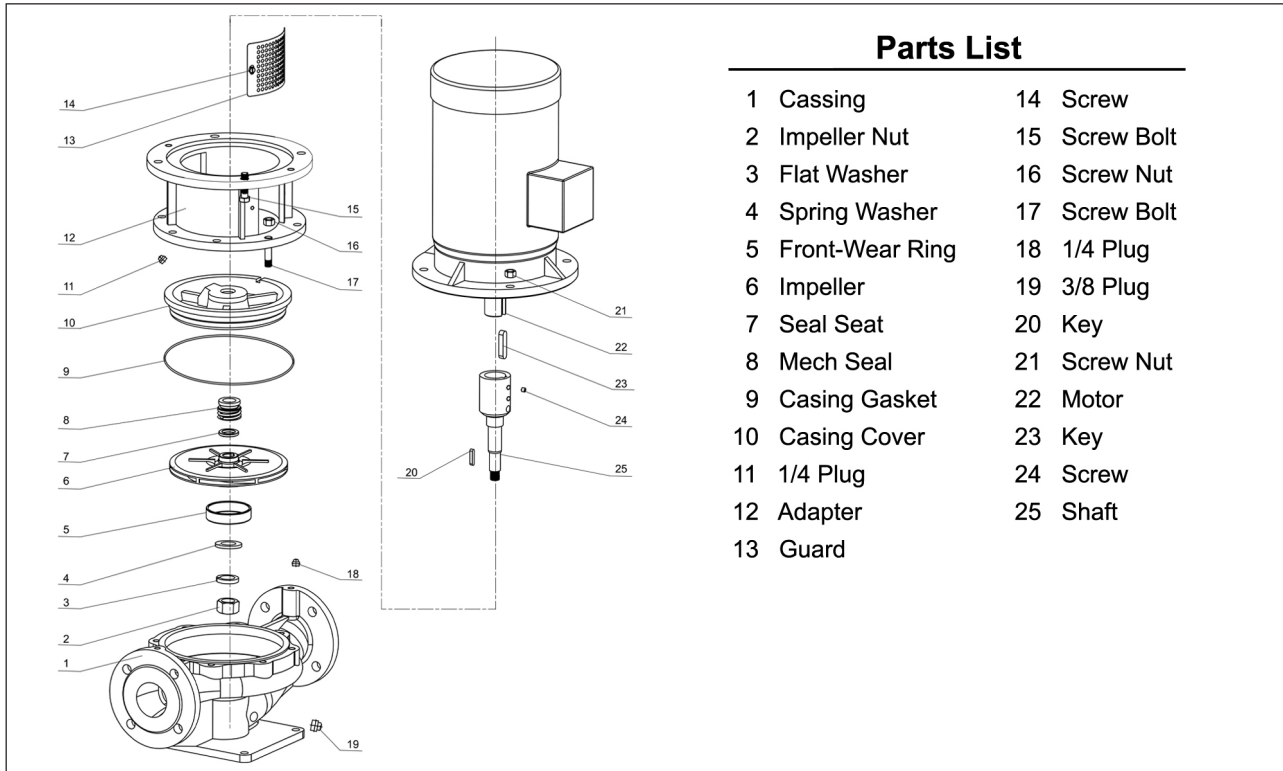
3

Receiver

From

 Company name  
 Respons. Department  
 Person in charge  
 Phone number  
 Fax no  
 E-mail address

--	--



Project

Project ID

Created by

Created on

Last update