



# Technical Data

## Vertical In-line Pump - EGM100-8016-05504

Revision no.

Page:  
 1

	Receiver	From
Company name		
Respons. Department		
Person in charge		
Phone number		
Fax no		
E-mail address		



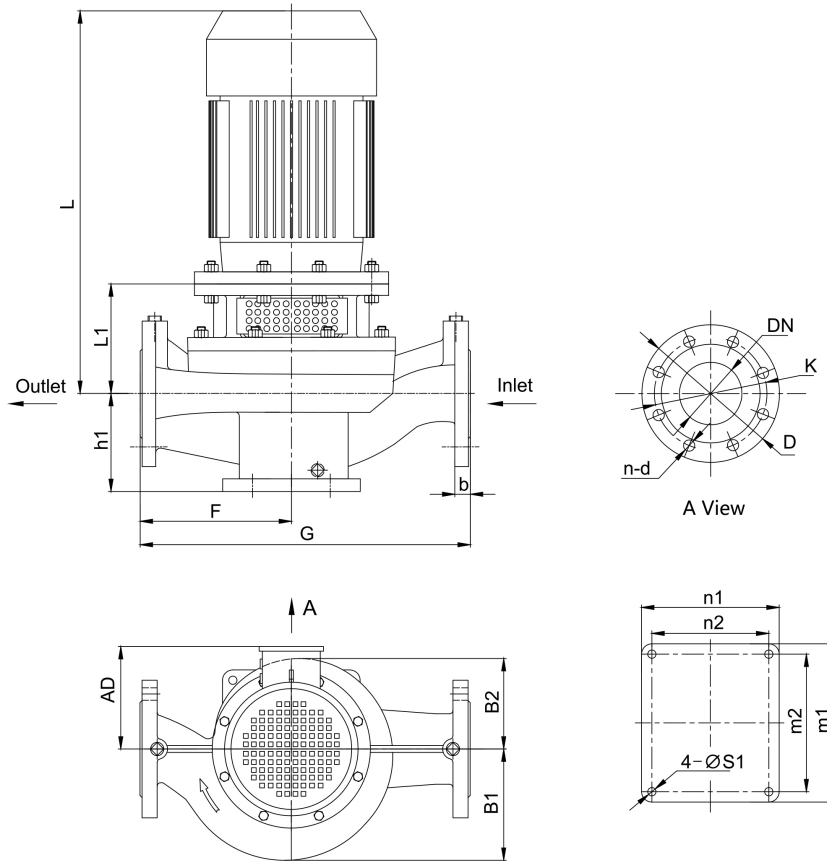
**Brand: Gol Pumps**  
**Model: EGM100-8016-05504**  
**Flange: ANSI Class 125**

Motor (V1)	
Model	HP
Y2-132S-4	7.5

Weight (lb)		
Pump	Motor	Pump & Motor
132	143	275

Inlet	Outlet
4"	4"

**Dimensions:**



Pump Installation Size (inch)															
h1	L1	F	G	L	AD	B1	B2	n2 x m2	n1 x m1	S1	DN	D	K	n - d	b
7.4	7.4	10.2	21.3	22.7	8.3	6.6	5.4	6.7x7.9	7.9x9.1	0.5	4	9.1	7.5	8 - $\phi$ 0.8	-

Project	Project ID	Created by	Created on	Last update
---------	------------	------------	------------	-------------



# Performance Curves

## Vertical In-line Pump - EGM100-8016-05504

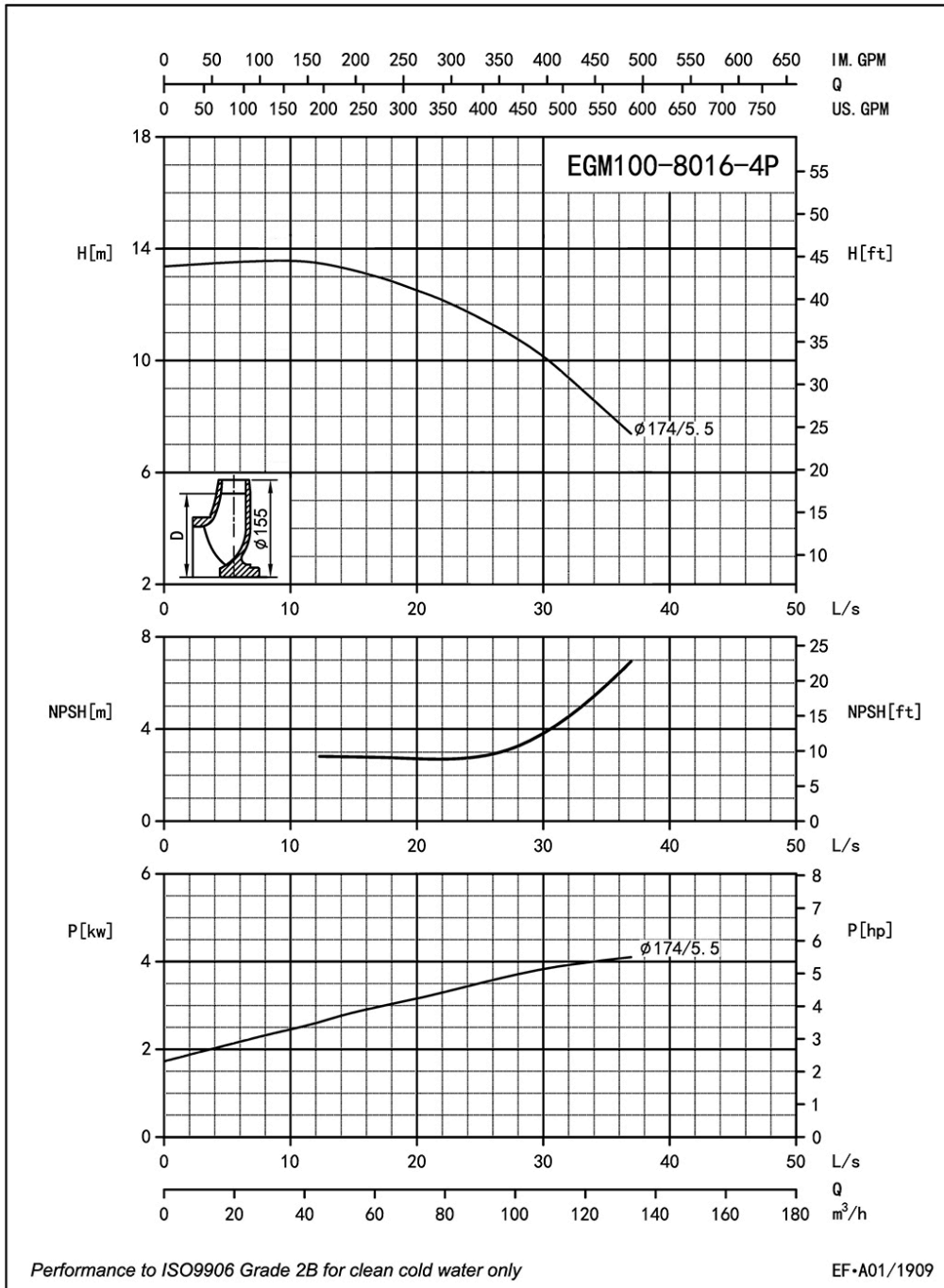
Revision no. \_\_\_\_\_  
 \_\_\_\_\_

Page:  
 2

Receiver	From

Company name  
 Respons. Department  
 Person in charge  
 Phone number  
 Fax no  
 E-mail address

Model	Capacity			Head		Speed	Motor	Voltage	Phase	Impeller Diam.		Eff.	(NPSH)r
	m <sup>3</sup> /h	l/s	gpm	m	ft	r/min	hp	v		mm	inch	%	ft
EGM100-8016-05504	56.2	15.6	247.3	13.2	43	1710	7.5	230/460	3	174	6.9	69	9.2
	93.6	26	412.1	11.2	37		7.5					80	9.8
	112.3	31.2	494.5	9.7	32		7.5					76	14.4



Project	Project ID	Created by	Created on	Last update



# Parts List

## Vertical In-line Pump - EGM100-8016-05504

Revision no.

Page:  
 3

Receiver

From

Company name  
 Respons. Department  
 Person in charge  
 Phone number  
 Fax no  
 E-mail address



### Parts List

1 Cassing	14 Screw
2 Impeller Nut	15 Screw Bolt
3 Flat Washer	16 Screw Nut
4 Spring Washer	17 Screw Bolt
5 Front-Wear Ring	18 1/4 Plug
6 Impeller	19 3/8 Plug
7 Seal Seat	20 Key
8 Mech Seal	21 Screw Nut
9 Casing Gasket	22 Motor
10 Casing Cover	23 Key
11 1/4 Plug	24 Screw
12 Adapter	25 Shaft
13 Guard	

Project	Project ID	Created by	Created on	Last update
---------	------------	------------	------------	-------------