



Technical Data

Vertical In-line Pump - EGM100-8032-18504

Revision no.

 Page:
1

Receiver

From

 Company name
 Respons. Department
 Person in charge
 Phone number
 Fax no
 E-mail address


Brand: Gol Pumps
Model: EGM100-8032-18504
Flange: ANSI Class 125

Motor (V1)

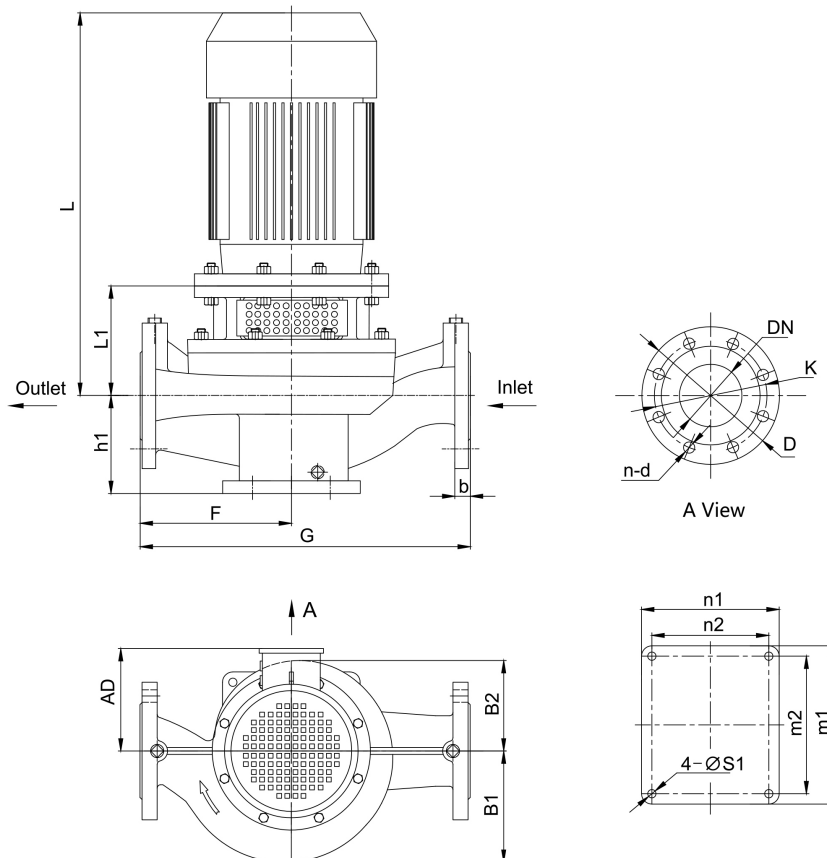
Model	HP
Y2-180M-4	25

Weight (lb)

Pump	Motor	Pump & Motor
281.6	345.4	627

Inlet	Outlet
4"	4"

Dimensions:



Pump Installation Size (inch)

h1	L1	F	G	L	AD	B1	B2	n2 x m2	n1 x m1	S1	DN	D	K	n - d	b
7.3	9.3	13.4	27.6	32.5	11	9.3	8.3	7.9x9.8	9.8x11.8	0.7	4	9.1	7.5	8 - ϕ 0.8	-

Project

Project ID

Created by

Created on

Last update



Performance Curves

Vertical In-line Pump - EGM100-8032-18504

Revision no.

Page:

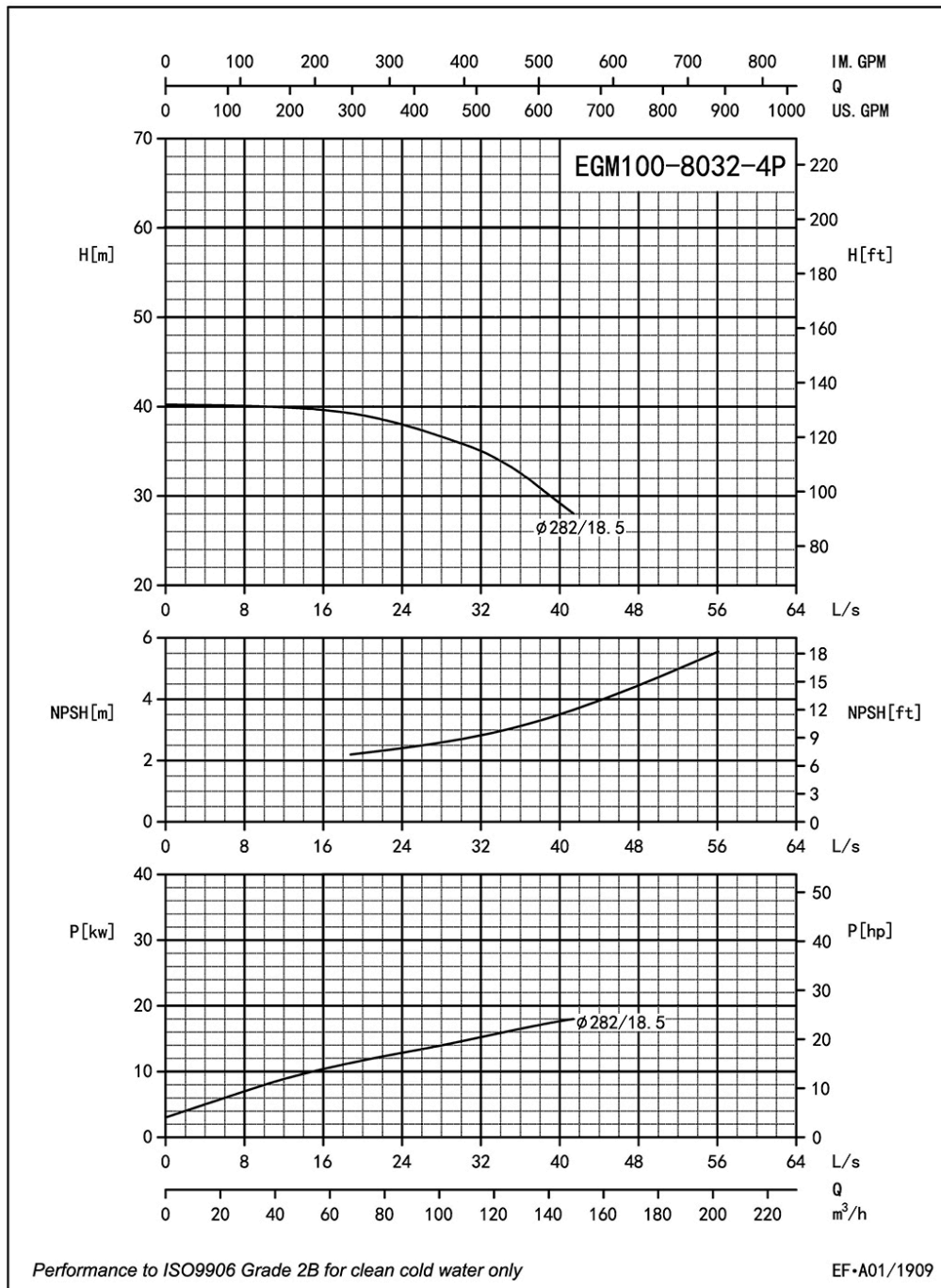
2

Receiver

From

 Company name
 Respons. Department
 Person in charge
 Phone number
 Fax no
 E-mail address

Model	Capacity			Head		Speed	Motor	Voltage	Phase	Impeller Diam.		Eff.	(NPSH)r
	m ³ /h	l/s	gpm	m	ft	r/min	hp	v		mm	inch	%	ft
EGM100-8032-18504	69.1	19.2	304.3	39	128	1760	25	230/460	3	282	11.1	64	8.2
	115.2	32	507.2	35	115		25					72	11.5
	138.2	38.4	608.7	30.2	99		25					69	14.8



Project

Project ID

Created by

Created on

Last update



Parts List

Vertical In-line Pump - EGM100-8032-18504

Revision no.

Page:
3

Receiver

From

Company name
Respons. Department
Person in charge
Phone number
Fax no
E-mail address

Parts List

1 Casing	14 Screw
2 Impeller Nut	15 Screw Bolt
3 Flat Washer	16 Screw Nut
4 Spring Washer	17 Screw Bolt
5 Front-Wear Ring	18 1/4 Plug
6 Impeller	19 3/8 Plug
7 Seal Seat	20 Key
8 Mech Seal	21 Screw Nut
9 Casing Gasket	22 Motor
10 Casing Cover	23 Key
11 1/4 Plug	24 Screw
12 Adapter	25 Shaft
13 Guard	

Project	Project ID	Created by	Created on	Last update
---------	------------	------------	------------	-------------