



# Technical Data

## Vertical In-line Pump - EGM100-8040-45004

Revision no.

 Page:  
1

Receiver

From

 Company name  
 Respons. Department  
 Person in charge  
 Phone number  
 Fax no  
 E-mail address


**Brand: Gol Pumps**  
**Model: EGM100-8040-45004**  
**Flange: ANSI Class 125**

### Motor (V1)

| Model     | HP |
|-----------|----|
| Y2-225M-4 | 60 |

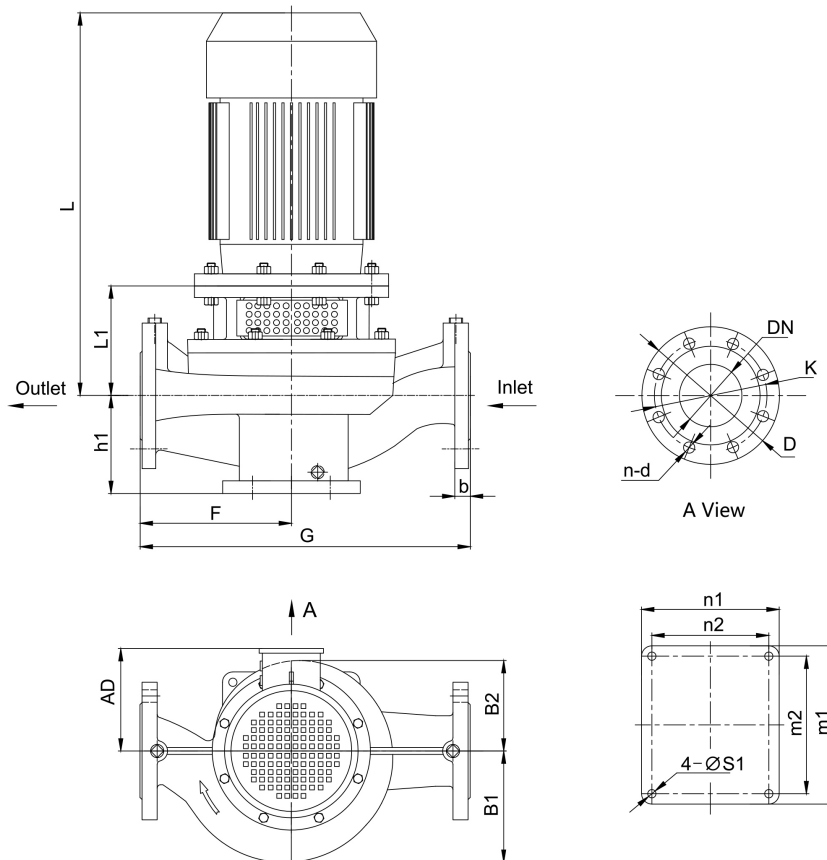
### Weight (lb)

| Pump  | Motor | Pump & Motor |
|-------|-------|--------------|
| 448.8 | 686.4 | 1135.2       |

### Inlet      Outlet

|    |    |
|----|----|
| 4" | 4" |
|----|----|

### Dimensions:



### Pump Installation Size (inch)

| h1  | L1   | F    | G    | L    | AD   | B1   | B2  | n2 x m2   | n1 x m1   | S1  | DN | D   | K   | n - d          | b |
|-----|------|------|------|------|------|------|-----|-----------|-----------|-----|----|-----|-----|----------------|---|
| 8.7 | 11.2 | 15.7 | 31.5 | 38.9 | 13.2 | 10.4 | 9.8 | 12.2x12.2 | 14.6x14.6 | 0.7 | 4  | 9.1 | 7.5 | 8 - $\phi$ 0.8 | - |

Project

Project ID

Created by

Created on

Last update



# Performance Curves

## Vertical In-line Pump - EGM100-8040-45004

Revision no.

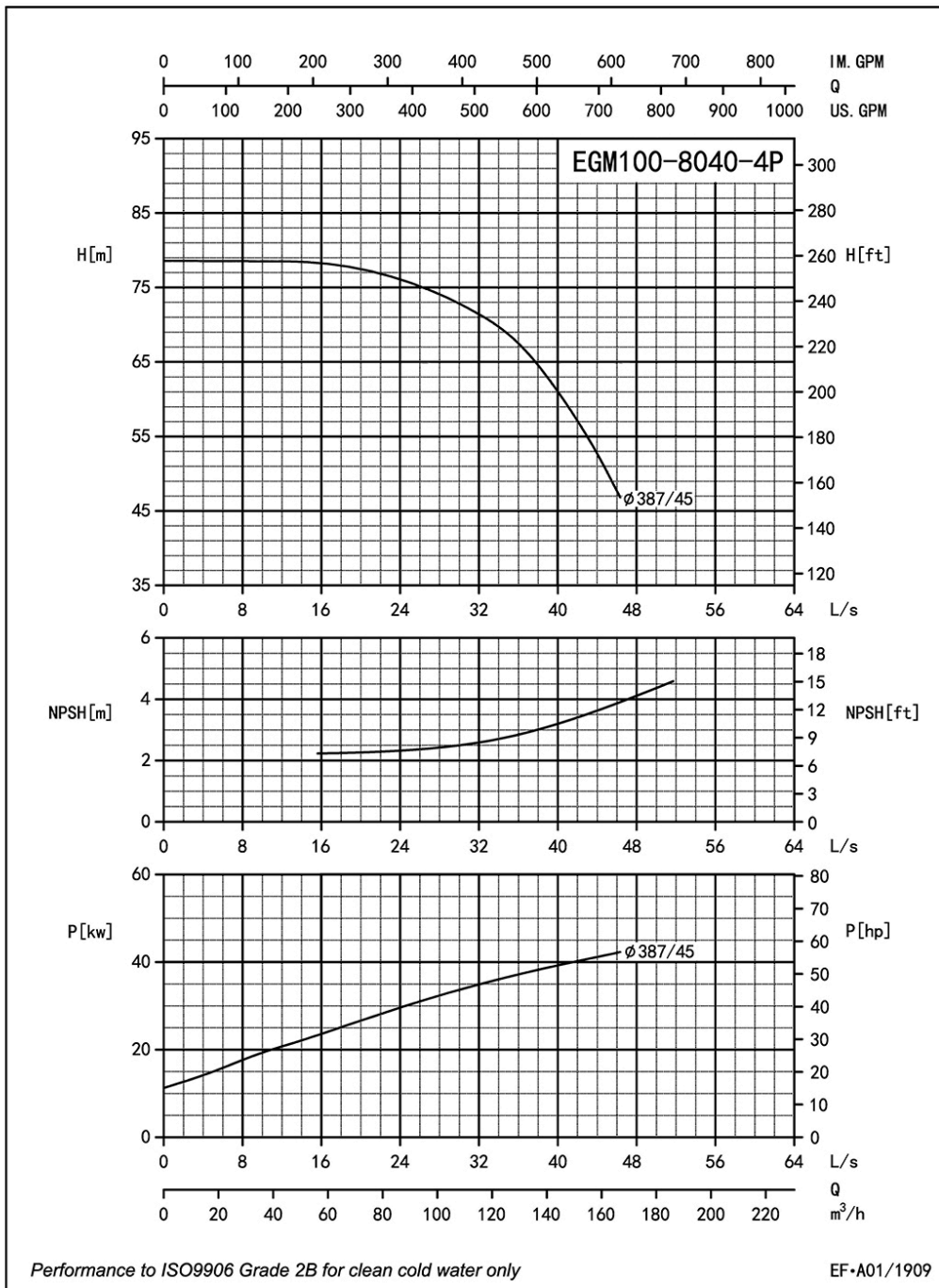
 Page:  
2

Receiver

From

 Company name  
 Respons. Department  
 Person in charge  
 Phone number  
 Fax no  
 E-mail address

| Model             | Capacity          |      |       | Head |     | Speed | Motor | Voltage | Phase | Impeller Diam. |      | Eff. | (NPSH)r |
|-------------------|-------------------|------|-------|------|-----|-------|-------|---------|-------|----------------|------|------|---------|
|                   | m <sup>3</sup> /h | l/s  | gpm   | m    | ft  | r/min | hp    | v       |       | mm             | inch | %    | ft      |
| EGM100-8040-45004 | 73.4              | 20.4 | 323.3 | 77.1 | 253 | 1780  | 60    | 230/460 | 3     | 387            | 15.2 | 57   | 7.5     |
|                   | 122.4             | 34   | 538.9 | 69.5 | 228 |       | 60    |         |       |                |      | 64   | 9.5     |
|                   | 146.9             | 40.8 | 646.7 | 59   | 194 |       | 60    |         |       |                |      | 61.5 | 11.5    |



Project

Project ID

Created by

Created on

Last update



# Parts List

## Vertical In-line Pump - EGM100-8040-45004

Revision no.

Page:  
3

Receiver

From

Company name  
Respons. Department  
Person in charge  
Phone number  
Fax no  
E-mail address

|  |  |
|--|--|
|  |  |
|  |  |
|  |  |
|  |  |
|  |  |

### Parts List

|                   |               |
|-------------------|---------------|
| 1 Casing          | 14 Screw      |
| 2 Impeller Nut    | 15 Screw Bolt |
| 3 Flat Washer     | 16 Screw Nut  |
| 4 Spring Washer   | 17 Screw Bolt |
| 5 Front-Wear Ring | 18 1/4 Plug   |
| 6 Impeller        | 19 3/8 Plug   |
| 7 Seal Seat       | 20 Key        |
| 8 Mech Seal       | 21 Screw Nut  |
| 9 Casing Gasket   | 22 Motor      |
| 10 Casing Cover   | 23 Key        |
| 11 1/4 Plug       | 24 Screw      |
| 12 Adapter        | 25 Shaft      |
| 13 Guard          |               |

|         |            |            |            |             |
|---------|------------|------------|------------|-------------|
| Project | Project ID | Created by | Created on | Last update |
|---------|------------|------------|------------|-------------|