



# Technical Data

## Vertical In-line Pump - EGM100-8040-55004

Revision no.

Page:

1

Receiver

From

 Company name  
 Respons. Department  
 Person in charge  
 Phone number  
 Fax no  
 E-mail address


**Brand: Gol Pumps**  
**Model: EGM100-8040-55004**  
**Flange: ANSI Class 125**

### Motor (V1)

Model	HP
Y2-250M-4	75

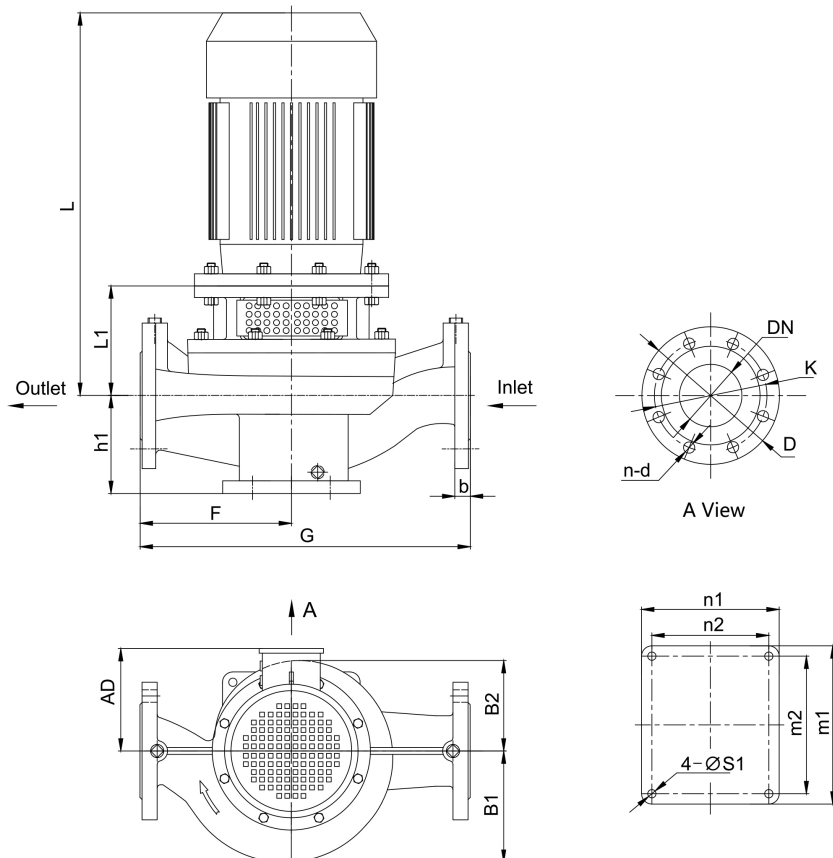
### Weight (lb)

Pump	Motor	Pump & Motor
457.6	842.6	1298

### Inlet      Outlet

4"	4"
----	----

### Dimensions:



### Pump Installation Size (inch)

h1	L1	F	G	L	AD	B1	B2	n2 x m2	n1 x m1	S1	DN	D	K	n - d	b
8.7	11.2	15.7	31.5	41.5	14.6	10.4	9.8	12.2x12.2	14.6x14.6	0.7	4	9.1	7.5	8 - $\phi$ 0.8	-

Project

Project ID

Created by

Created on

Last update



# Performance Curves

## Vertical In-line Pump - EGM100-8040-55004

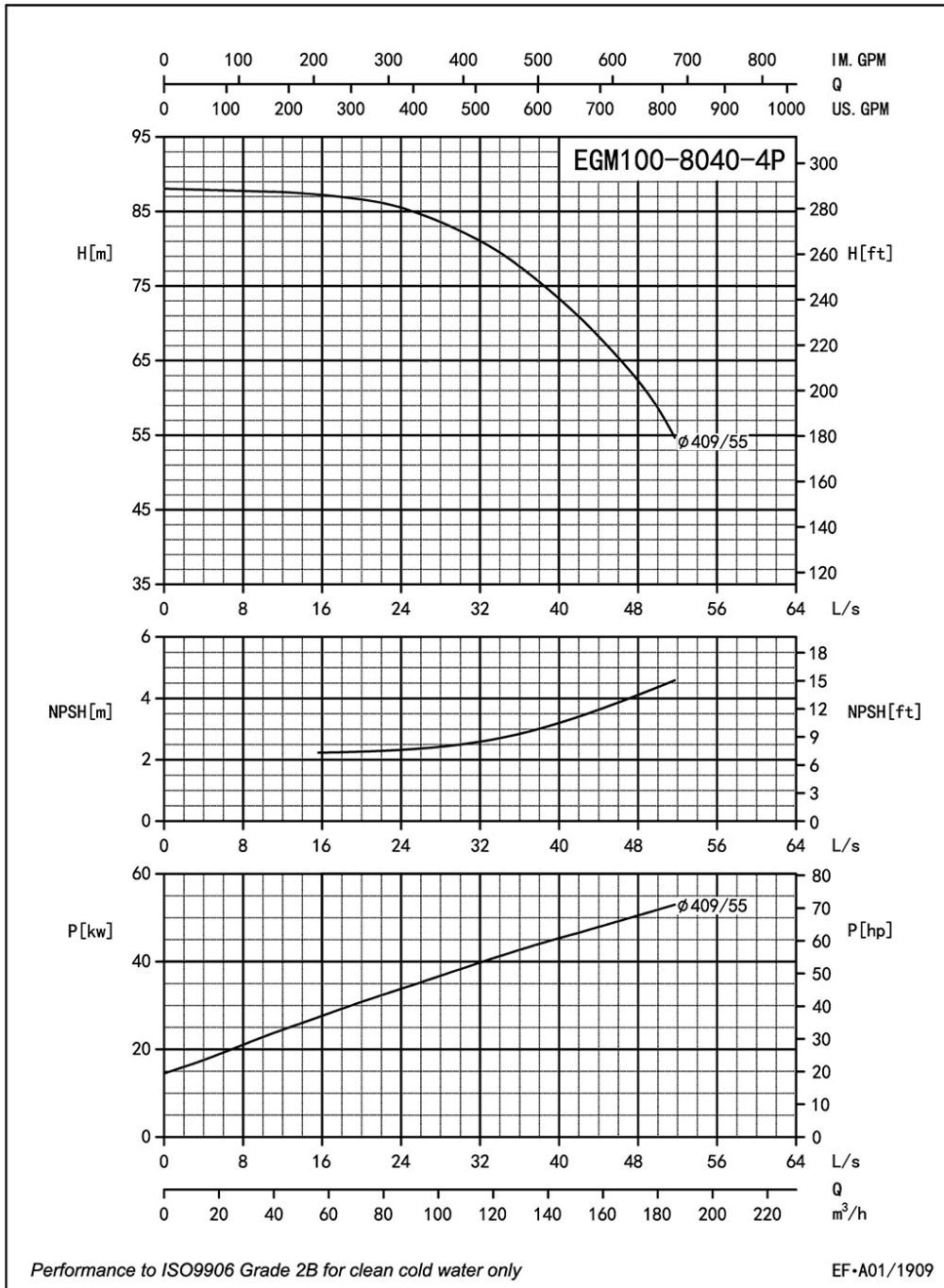
Revision no. \_\_\_\_\_  
 \_\_\_\_\_

Page:  
 2

Receiver	From

Company name  
 Respons. Department  
 Person in charge  
 Phone number  
 Fax no  
 E-mail address

Model	Capacity			Head		Speed	Motor	Voltage	Phase	Impeller Diam.		Eff.	(NPSH)r
	m <sup>3</sup> /h	l/s	gpm	m	ft	r/min	hp	v		mm	inch	%	ft
EGM100-8040-55004	77.8	21.6	342.4	86	282	1780	75	230/460	3	409	16.1	57	7.5
	129.6	36	570.6	77	253		75					64	9.5
	155.5	43.2	684.7	69	226		75					62	11.5



Project	Project ID	Created by	Created on	Last update
---------	------------	------------	------------	-------------



# Parts List

## Vertical In-line Pump - EGM100-8040-55004

Revision no.

Page:

3

Receiver

From

 Company name  
 Respons. Department  
 Person in charge  
 Phone number  
 Fax no  
 E-mail address



### Parts List

1	Cassing	14	Screw
2	Impeller Nut	15	Screw Bolt
3	Flat Washer	16	Screw Nut
4	Spring Washer	17	Screw Bolt
5	Front-Wear Ring	18	1/4 Plug
6	Impeller	19	3/8 Plug
7	Seal Seat	20	Key
8	Mech Seal	21	Screw Nut
9	Casing Gasket	22	Motor
10	Casing Cover	23	Key
11	1/4 Plug	24	Screw
12	Adapter	25	Shaft
13	Guard		

Project

Project ID

Created by

Created on

Last update