



# Technical Data

## Vertical In-line Pump - EGM65-5013-01104

Revision no.

 Page:  
1

Receiver

From

 Company name  
 Respons. Department  
 Person in charge  
 Phone number  
 Fax no  
 E-mail address


**Brand: Gol Pumps**  
**Model: EGM65-5013-01104**  
**Flange: ANSI Class 125**

### Motor (V1)

Model	HP
Y2-90S-4	1.5

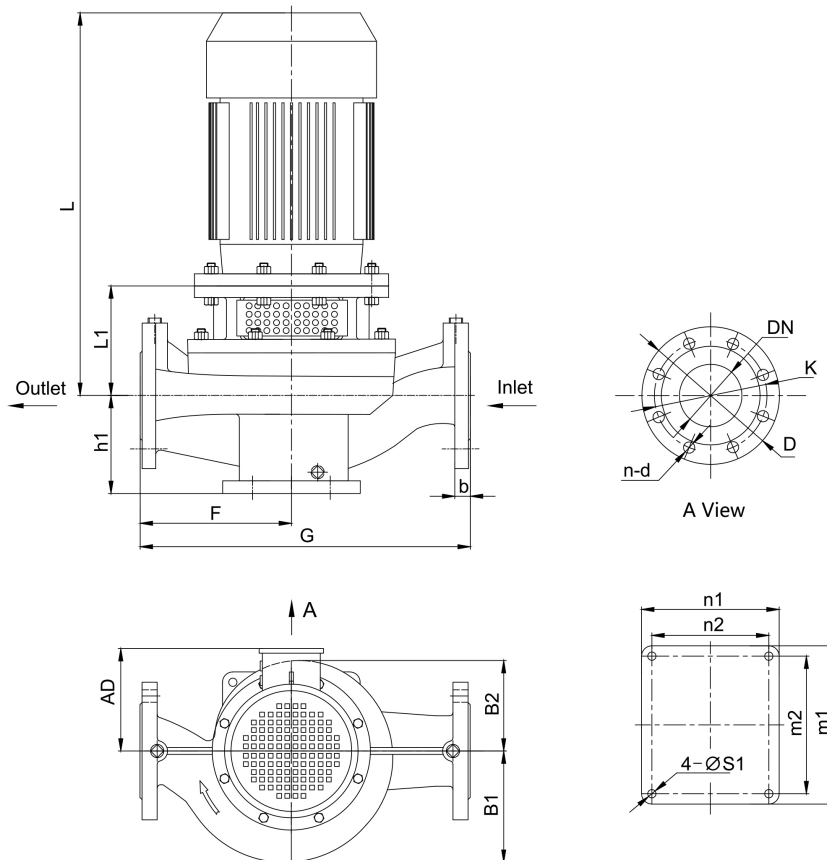
### Weight (lb)

Pump	Motor	Pump & Motor
90.2	48.4	138.6

### Inlet      Outlet

2.5"	2.5"
------	------

### Dimensions:



### Pump Installation Size (inch)

h1	L1	F	G	L	AD	B1	B2	n2 x m2	n1 x m1	S1	DN	D	K	n - d	b
6.1	6	7.9	16.1	16.6	6.1	5.1	4.1	6.7x7.9	7.9x9.1	0.5	2.5	7.1	5.5	4 - $\phi$ 0.8	-

Project

Project ID

Created by

Created on

Last update



# Performance Curves

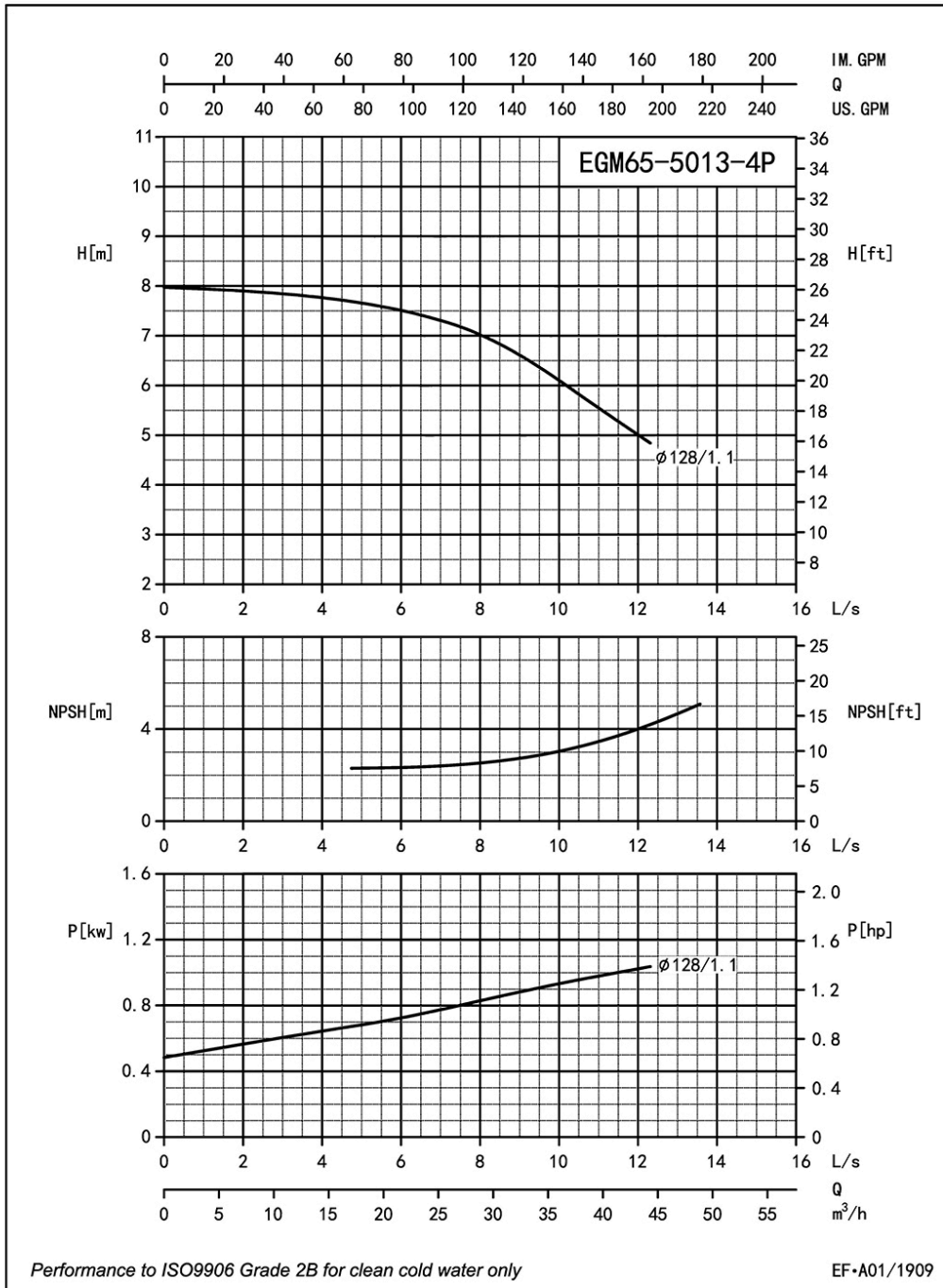
## Vertical In-line Pump - EGM65-5013-01104

Revision no. \_\_\_\_\_  
Page: 2

Receiver	From

Company name  
Respons. Department  
Person in charge  
Phone number  
Fax no  
E-mail address

Model	Capacity			Head		Speed	Motor	Voltage	Phase	Impeller Diam.		Eff.	(NPSH)r
	m <sup>3</sup> /h	l/s	gpm	m	ft	r/min	hp	v		mm	inch	%	ft
EGM65-5013-01104	19.4	5.4	85.6	7.6	25	1710	1.5	230/460	3	128	5	59.5	7.5
	32.4	9	142.7	6.6	22		1.5					66	9.5
	38.9	10.8	171.2	5.6	18		1.5					61	12.5



Project	Project ID	Created by	Created on	Last update
---------	------------	------------	------------	-------------



# Parts List

## Vertical In-line Pump - EGM65-5013-01104

Revision no.

Page:  
 3

	Receiver	From
Company name		
Respons. Department		
Person in charge		
Phone number		
Fax no		
E-mail address		

### Parts List

1 Casing	14 Screw
2 Impeller Nut	15 Screw Bolt
3 Flat Washer	16 Screw Nut
4 Spring Washer	17 Screw Bolt
5 Front-Wear Ring	18 1/4 Plug
6 Impeller	19 3/8 Plug
7 Seal Seat	20 Key
8 Mech Seal	21 Screw Nut
9 Casing Gasket	22 Motor
10 Casing Cover	23 Key
11 1/4 Plug	24 Screw
12 Adapter	25 Shaft
13 Guard	

Project	Project ID	Created by	Created on	Last update