



# Technical Data

## Vertical In-line Pump - EGM65-5013-01504

Revision no.

Page:

1

Receiver

From

 Company name  
 Respons. Department  
 Person in charge  
 Phone number  
 Fax no  
 E-mail address


**Brand: Gol Pumps**  
**Model: EGM65-5013-01504**  
**Flange: ANSI Class 125**

### Motor (V1)

Model	HP
Y2-90L-4	2

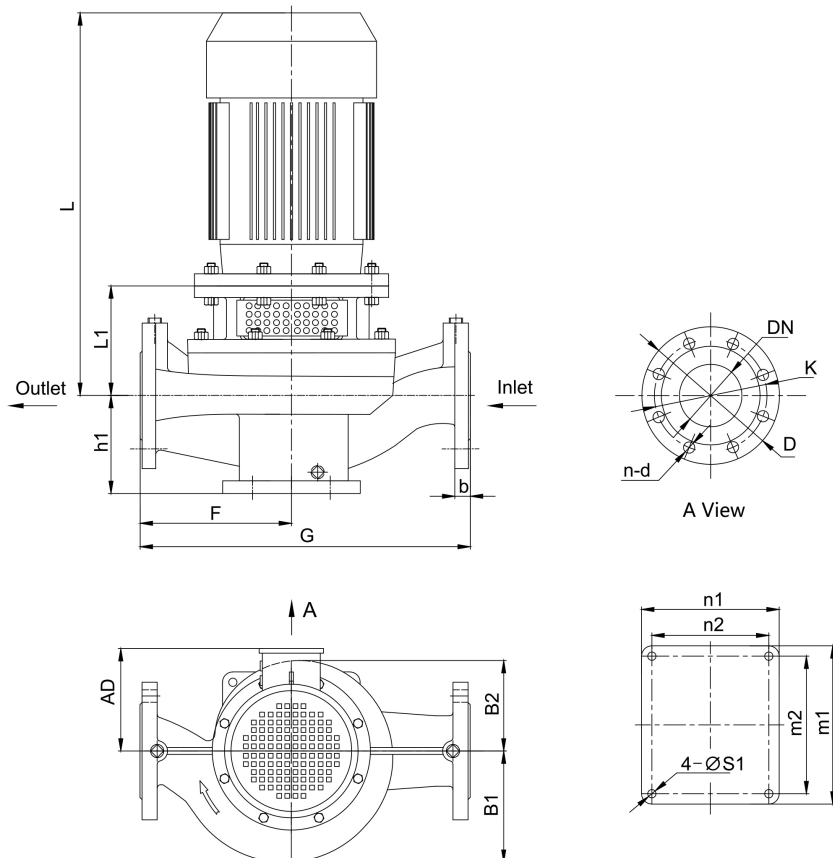
### Weight (lb)

Pump	Motor	Pump & Motor
90.2	59.4	147.4

### Inlet      Outlet

2.5"	2.5"
------	------

### Dimensions:



### Pump Installation Size (inch)

h1	L1	F	G	L	AD	B1	B2	n2 x m2	n1 x m1	S1	DN	D	K	n - d	b
6.1	6	7.9	16.1	17.6	6.1	5.1	4.1	6.7x7.9	7.9x9.1	0.5	2.5	7.1	5.5	4 - $\phi$ 0.8	-

Project

Project ID

Created by

Created on

Last update



# Performance Curves

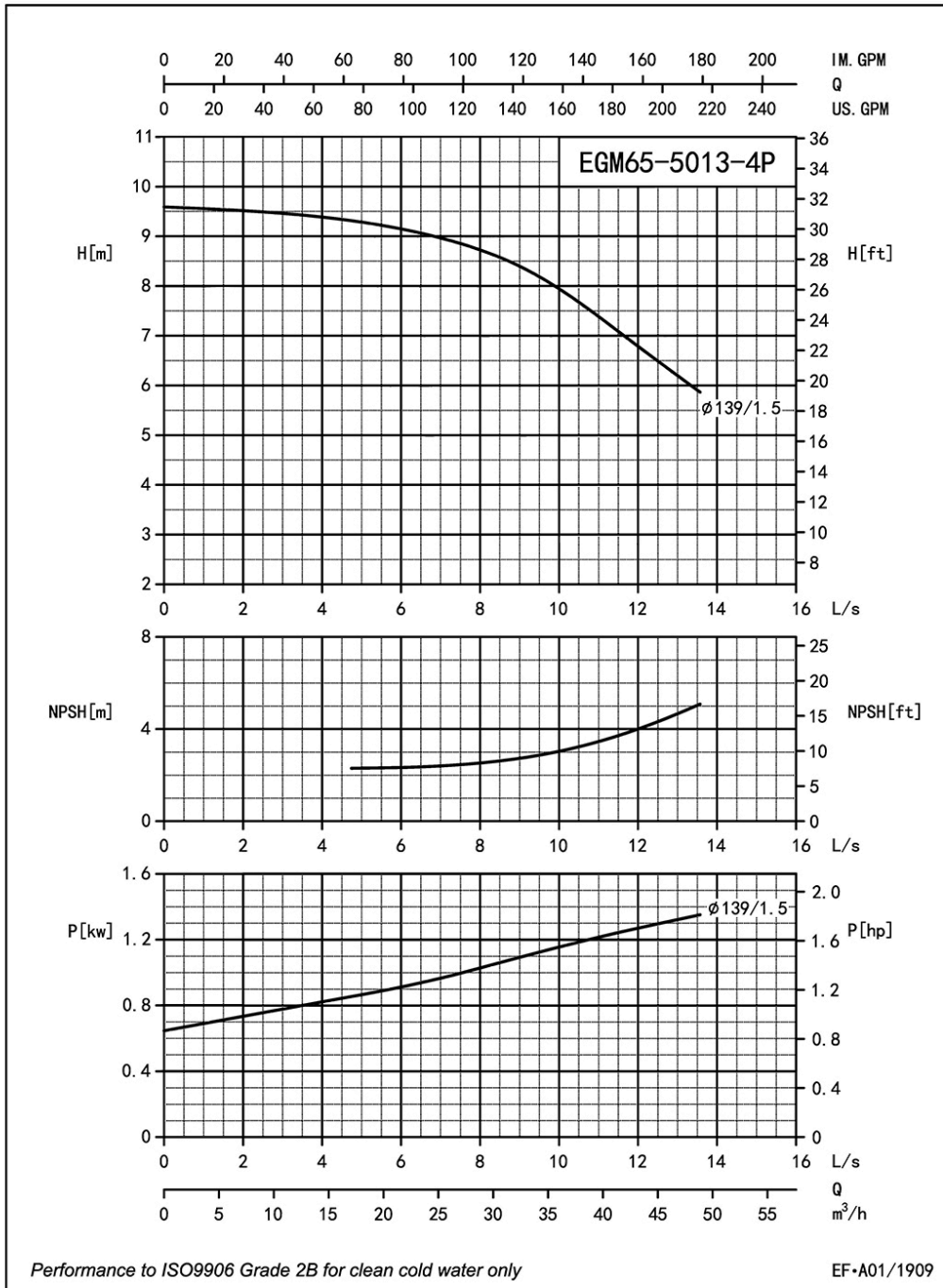
## Vertical In-line Pump - EGM65-5013-01504

Revision no. \_\_\_\_\_  
Page: 2

Receiver \_\_\_\_\_ From \_\_\_\_\_

Company name \_\_\_\_\_  
 Respons. Department \_\_\_\_\_  
 Person in charge \_\_\_\_\_  
 Phone number \_\_\_\_\_  
 Fax no \_\_\_\_\_  
 E-mail address \_\_\_\_\_

Model	Capacity			Head		Speed	Motor	Voltage	Phase	Impeller Diam.		Eff.	(NPSH)r
	m <sup>3</sup> /h	l/s	gpm	m	ft	r/min	hp	v		mm	inch	%	ft
EGM65-5013-01504	20.5	5.7	90.3	9.2	30	1710	2	230/460	3	139	5.5	61	7.5
	34.2	9.5	150.6	8.2	27		2					68	9.5
	41	11.4	180.7	7.1	23		2					63	12.5



Performance to ISO9906 Grade 2B for clean cold water only

EF•A01/1909

Project _____	Project ID _____	Created by _____	Created on _____	Last update _____
---------------	------------------	------------------	------------------	-------------------



# Parts List

## Vertical In-line Pump - EGM65-5013-01504

Revision no.

Page:

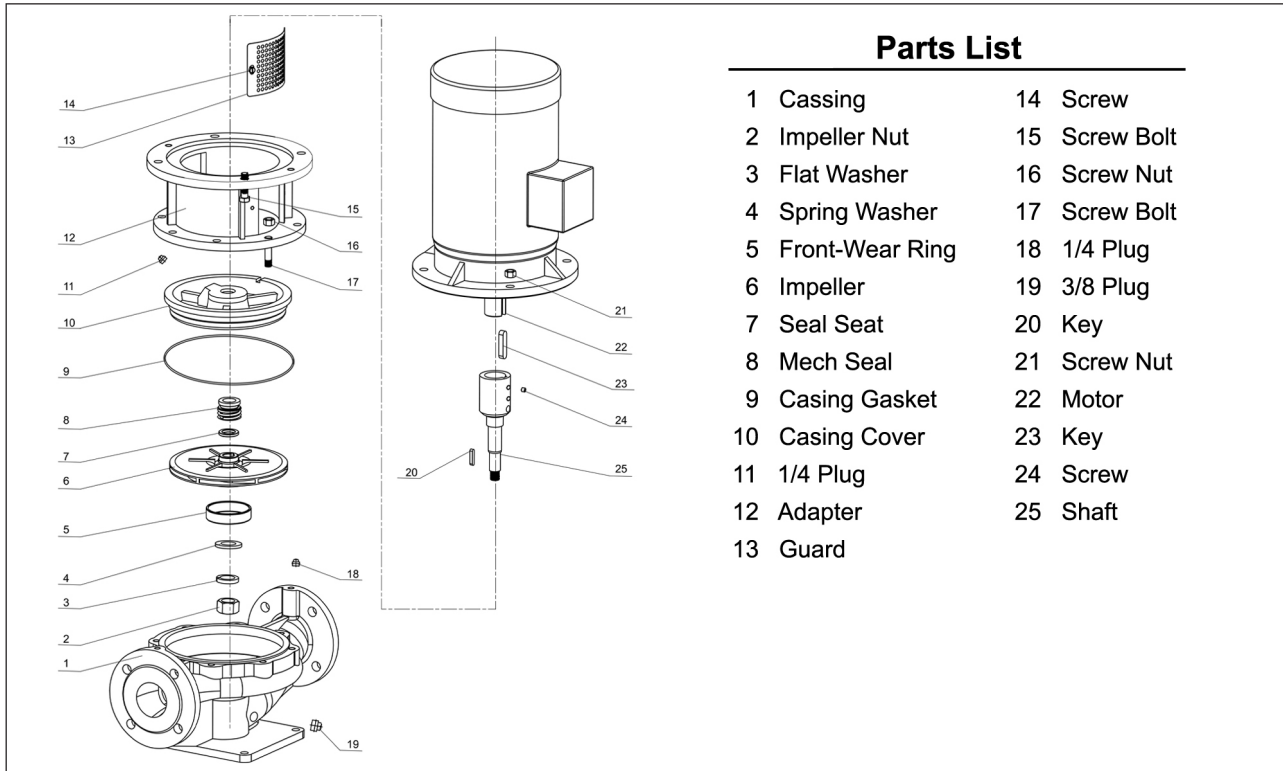
3

Receiver

From

 Company name  
 Respons. Department  
 Person in charge  
 Phone number  
 Fax no  
 E-mail address





Project

Project ID

Created by

Created on

Last update