



Technical Data

Vertical In-line Pump - EGM80-6520-03004

Revision no.

 Page:
1

Receiver

From

 Company name
 Respons. Department
 Person in charge
 Phone number
 Fax no
 E-mail address


Brand: Gol Pumps
Model: EGM80-6520-03004
Flange: ANSI Class 125

Motor (V1)

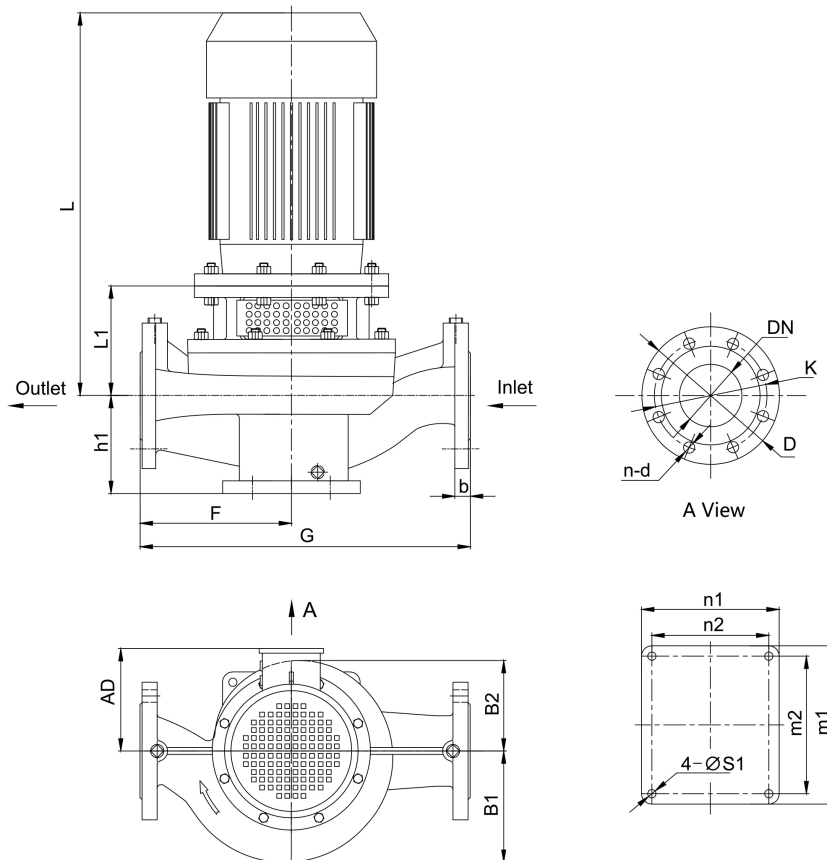
Model	HP
Y2-100L2-4	4

Weight (lb)

Pump	Motor	Pump & Motor
136.4	81.4	217.8

Inlet	Outlet
3"	3"

Dimensions:



Pump Installation Size (inch)

h1	L1	F	G	L	AD	B1	B2	n2 x m2	n1 x m1	S1	DN	D	K	n - d	b
5.9	6.4	10.2	21.3	19.2	7.1	6.7	5.8	6.7x7.9	7.9x9.1	0.6	3	7.5	6	4 - φ0.8	-

Project

Project ID

Created by

Created on

Last update



Performance Curves

Vertical In-line Pump - EGM80-6520-03004

Revision no.

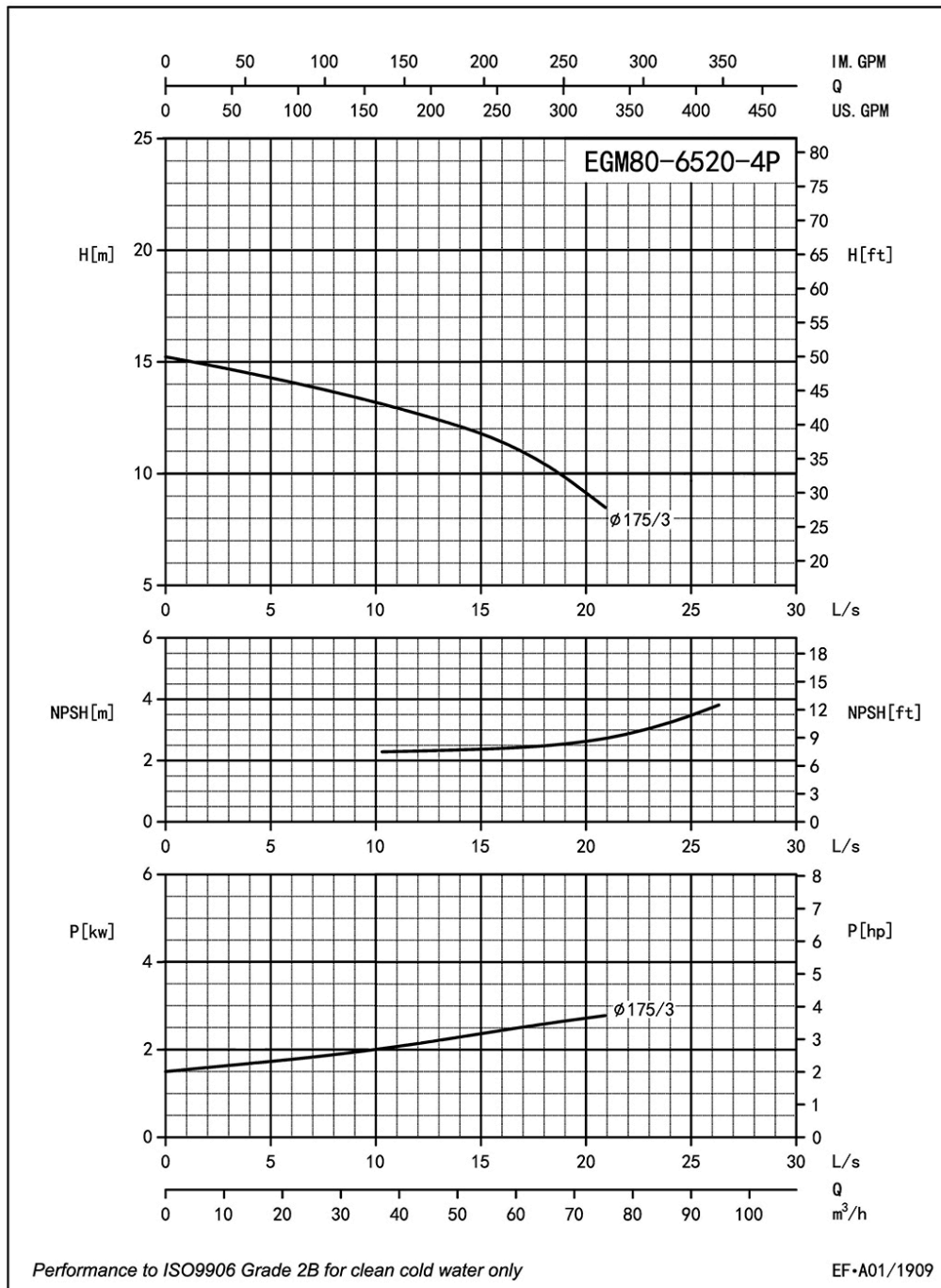
 Page:
2

Receiver

From

 Company name
 Respons. Department
 Person in charge
 Phone number
 Fax no
 E-mail address

Model	Capacity			Head		Speed	Motor	Voltage	Phase	Impeller Diam.		Eff.	(NPSH)r
	m ³ /h	l/s	gpm	m	ft	r/min	hp	v		mm	inch	%	ft
EGM80-6520-03004	34.6	9.6	152.2	13.2	43	1710	4	230/460	3	175	6.9	67	7.5
	57.6	16	253.6	11.4	37		4					74	8.5
	69.1	19.2	304.3	9.7	32		4					70	10.5



Project

Project ID

Created by

Created on

Last update



Parts List

Vertical In-line Pump - EGM80-6520-03004

Revision no.

Page:
 3

Receiver

From

Company name
 Respons. Department
 Person in charge
 Phone number
 Fax no
 E-mail address

Parts List

1 Casing	14 Screw
2 Impeller Nut	15 Screw Bolt
3 Flat Washer	16 Screw Nut
4 Spring Washer	17 Screw Bolt
5 Front-Wear Ring	18 1/4 Plug
6 Impeller	19 3/8 Plug
7 Seal Seat	20 Key
8 Mech Seal	21 Screw Nut
9 Casing Gasket	22 Motor
10 Casing Cover	23 Key
11 1/4 Plug	24 Screw
12 Adapter	25 Shaft
13 Guard	

Project	Project ID	Created by	Created on	Last update
---------	------------	------------	------------	-------------