



Technical Data

Vertical In-line Pump - EGM80-6520-04004

Revision no.

Page:
 1

Company name
 Respons. Department
 Person in charge
 Phone number
 Fax no
 E-mail address

Receiver

From



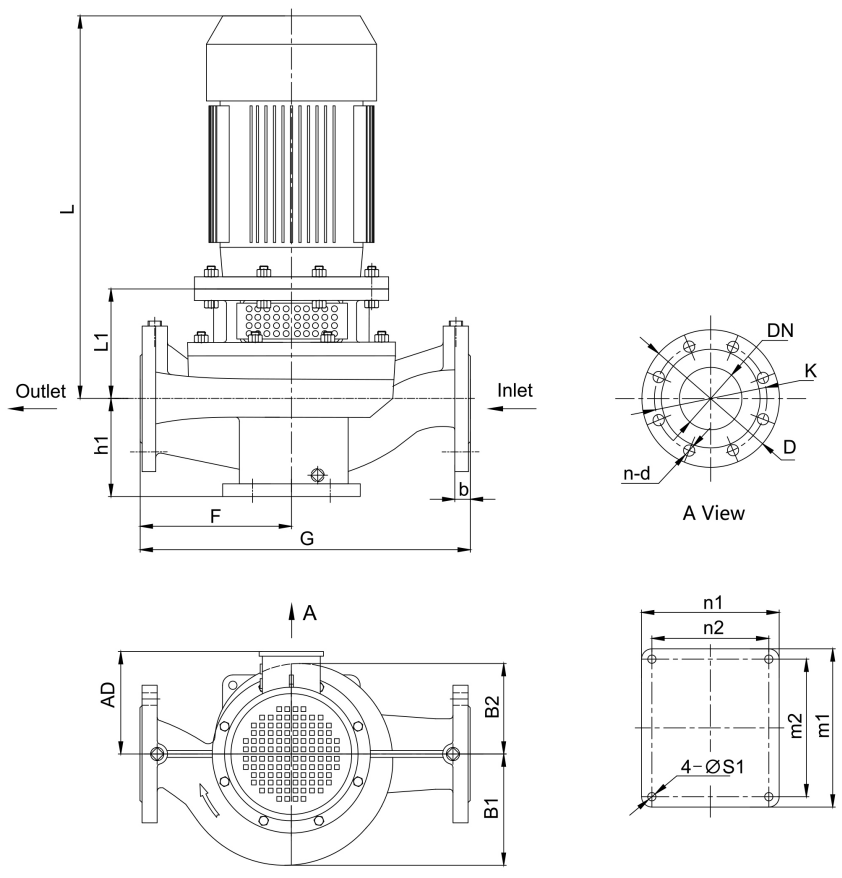
Brand: Gol Pumps
Model: EGM80-6520-04004
Flange: ANSI Class 125

Motor (V1)	
Model	HP
Y2-112M-4	5.5

Weight (lb)		
Pump	Motor	Pump & Motor
136.4	103.4	239.8

Inlet	Outlet
3"	3"

Dimensions:



Pump Installation Size (inch)															
h1	L1	F	G	L	AD	B1	B2	n2 x m2	n1 x m1	S1	DN	D	K	n - d	b
5.9	6.4	10.2	21.3	19.8	7.5	6.7	5.8	6.7x7.9	7.9x9.1	0.6	3	7.5	6	4 - φ0.8	-

Project	Project ID	Created by	Created on	Last update
---------	------------	------------	------------	-------------



Performance Curves

Vertical In-line Pump - EGM80-6520-04004

Revision no.

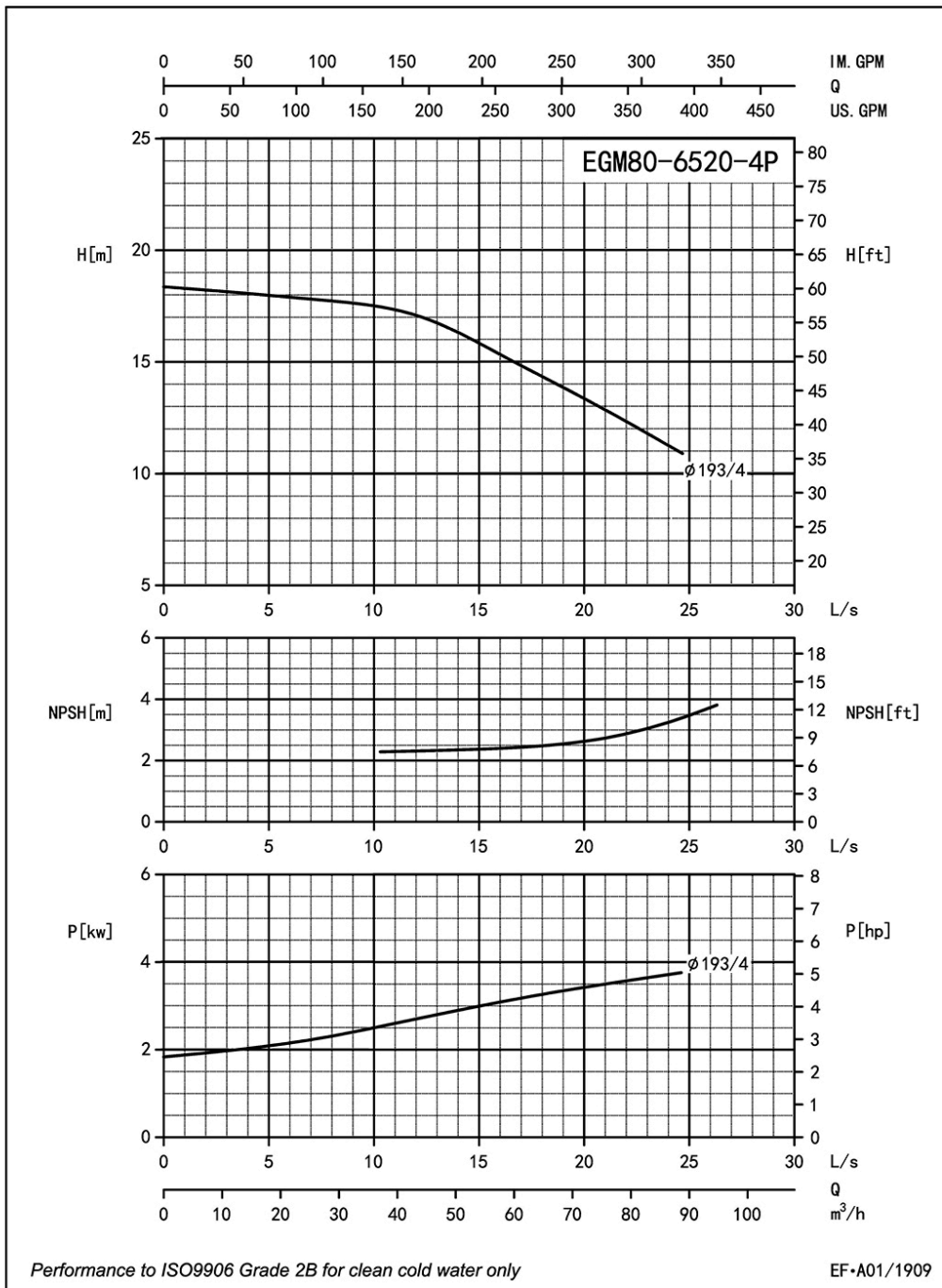
Page:
 2

Receiver

From

Company name
 Respons. Department
 Person in charge
 Phone number
 Fax no
 E-mail address

Model	Capacity			Head		Speed	Motor	Voltage	Phase	Impeller Diam.		Eff.	(NPSH)r
	m ³ /h	l/s	gpm	m	ft	r/min	hp	v		mm	inch	%	ft
EGM80-6520-04004	38.9	10.8	171.2	17.3	57	1710	5.5	230/460	3	193	7.6	70	7.5
	64.8	18	285.3	14.3	47		5.5					78	8.5
	77.8	21.6	342.4	13	43		5.5					76	10.5



Project	Project ID	Created by	Created on	Last update
---------	------------	------------	------------	-------------



Parts List

Vertical In-line Pump - EGM80-6520-04004

Revision no.

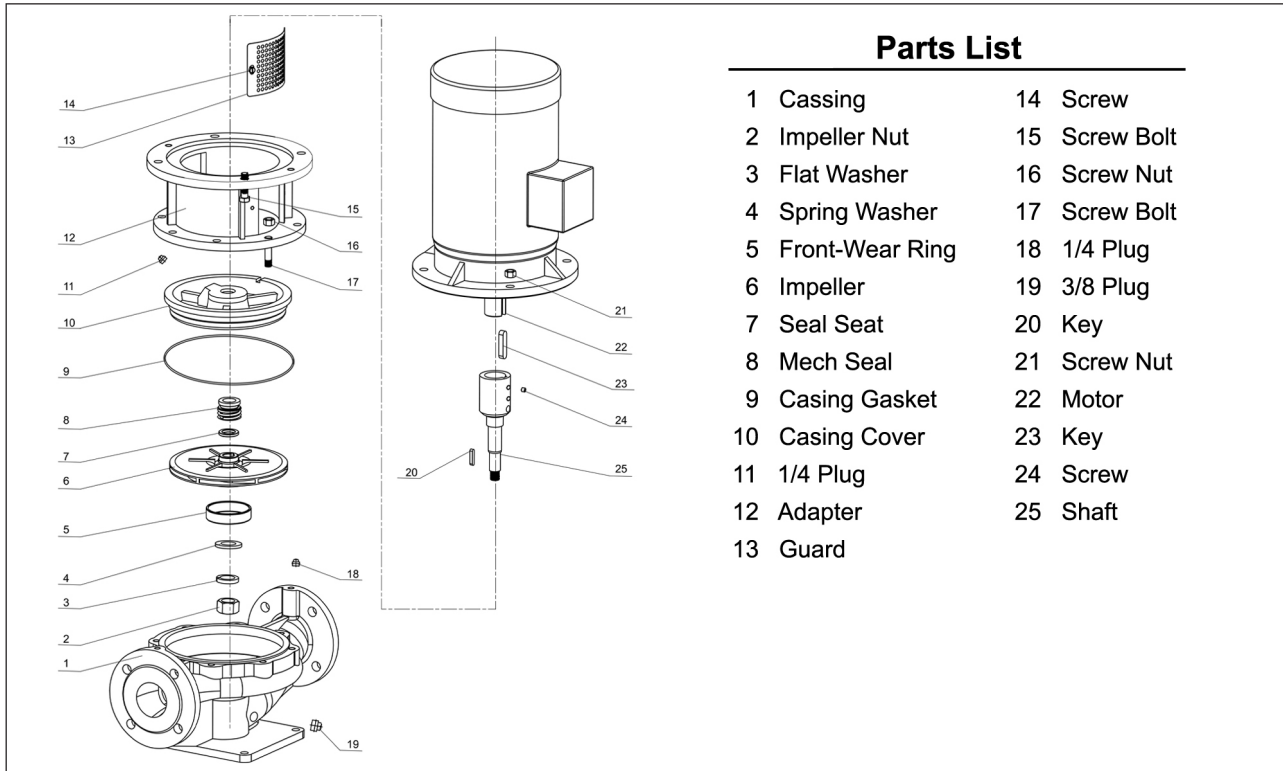
Page:

3

Receiver

From

 Company name
 Respons. Department
 Person in charge
 Phone number
 Fax no
 E-mail address



Project

Project ID

Created by

Created on

Last update